

Cat6Plus Category 6 Shielded Module

Datasheet: GD055431v6



APPLICATION

Cat6Plus shielded modules offer Category 6 component performance. The unique design allows for horizontal and vertical cable entry. The outlet is available in 1- or 2-Port versions in white or ivory. Each outlet is supplied with cable clamps, removable label, label cover, and a short form installation instruction.

FEATURES

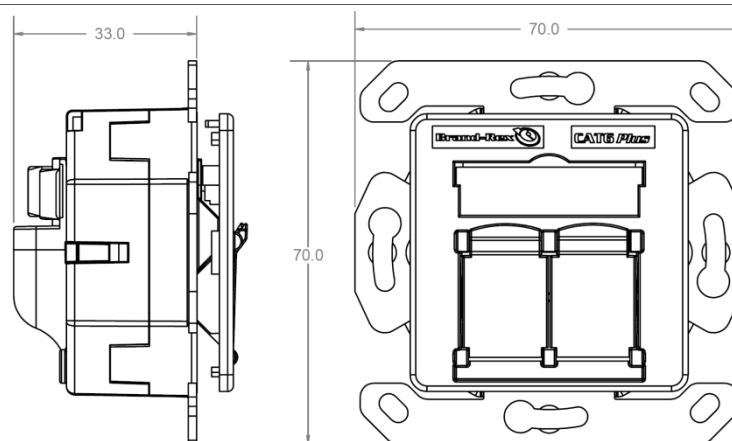
- Category 6 performance
- Withstands 2500 patch cord insertions/removals
- Horizontal or vertical cable entry
- Meets the "Rutenbeck" standard
- Robust design
- White (RAL9010) or Ivory (RAL1013) faceplate options available
- Fits a variety of custom faceplate designs



ORDER INFO

Part Number	Item Description	Color	Weight per Item (nom)	Qty per Pack
18870NA	1-Port Cat6Plus Cat 6 Shielded Module	Ivory	130g	5
18870NB	1-Port Cat6Plus Cat 6 Shielded Module	White	130g	5
18879NA	2-Port Cat6Plus Cat 6 Shielded Module	Ivory	130g	5
18879NB	2-Port Cat6Plus Cat 6 Shielded Module	White	130g	5

PHYSICAL CHARACTERISTICS



Cat6Plus Category 6 Shielded Module

Datasheet: GD055431v6



APPLICABLE PRODUCT STANDARDS

- ISO/IEC category: Category 6 performance connector for use in Class E cabling systems
- ISO/IEC 11801-1 ed 1 (2018)
- IEC 60603-7, -7-1 and -7-51
- EIA/TIA 568C series: Category 6 performance

ENVIRONMENTAL CONDITIONS

- Operating temperature from -10°C to 60°C at 93% relative humidity, non-condensing
- Storage temperature from -40°C to 70°C

ELECTRICAL CHARACTERISTICS

- Voltage Proof: 1500V dc / ac peak
- Current-temperature derating: Compliant with IEC 60603-7
- Contact Resistance: <20mΩ
- Insulation Resistance: >500MΩ
- Coupling attenuation: >61dB

MECHANICAL SPECIFICATION

- Repeat plug insertions: >750 mating cycles with an IEC 60603-7 compliant plug
Product tested to 2500 insertion cycles
- Wiring: T568 A and B wiring types
- Note that each product pack contains a full installation instruction.

REGULATIONS & COMPLIANCE

- RoHS 2011/65/EU Compliant

*“Leviton is **dedicated to designing, developing, and manufacturing sustainable high performance structured cabling and specialty cabling solutions.**”*

The information contained in this document is valid and correct at the time of issue. Leviton reserves the right to modify details without notice in light of subsequent standard/specification changes and ongoing technical developments.