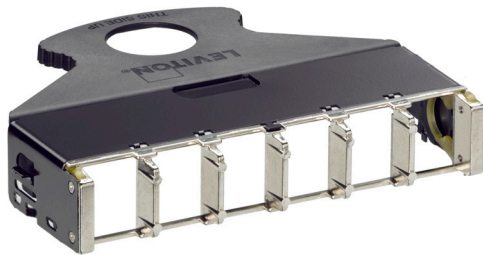


e2XHD 6-Port QuickPort® Copper Cassette

APPLICATION

The e2XHD Patching System provides a high-density solution for enterprise and data center applications where fast deployment and simple maintenance are priorities. Cassettes quickly snap-in and pull out of 1RU panels, making installation, moves, adds, and changes easier than ever. A rear cable manager is available to support incoming fiber and copper cables, and blank cassettes snap into the rear of panels to block any unused openings. Copper cassettes are available either on pre-terminated trunks or empty. Fiber cassettes are pre-terminated.



SPECIFICATION

Copper cassettes shall snap into the rear of the panel and shall require no tools to remove. Copper cassettes shall accept six ports. Cassettes shall be compatible with shielded and UTP connectors. Cassettes shall meet all ANSI/TIA-568.0-D requirements.

FEATURES

- Copper cassettes are compatible with shielded and UTP connectors
- Connectors easily snap into cassette after termination
- Alignment tabs on the rear of the panel ensure upright insertion of cassettes
- To remove cassettes from panel, simply pull out handle using release latch
- QuickPort® Connector Removal Tool is available to remove connectors from cassettes

DESIGN CONSIDERATIONS

- Panels hold up to eight cassettes (48 copper ports) per rack unit
- Six copper ports per cassette

PHYSICAL SPECIFICATIONS

Materials: Cold-rolled steel and high-performance plastics
Capacity: Six QuickPort Connector ports

STANDARDS COMPLIANCE

- ANSI/TIA-568.0-D

WARRANTY INFORMATION

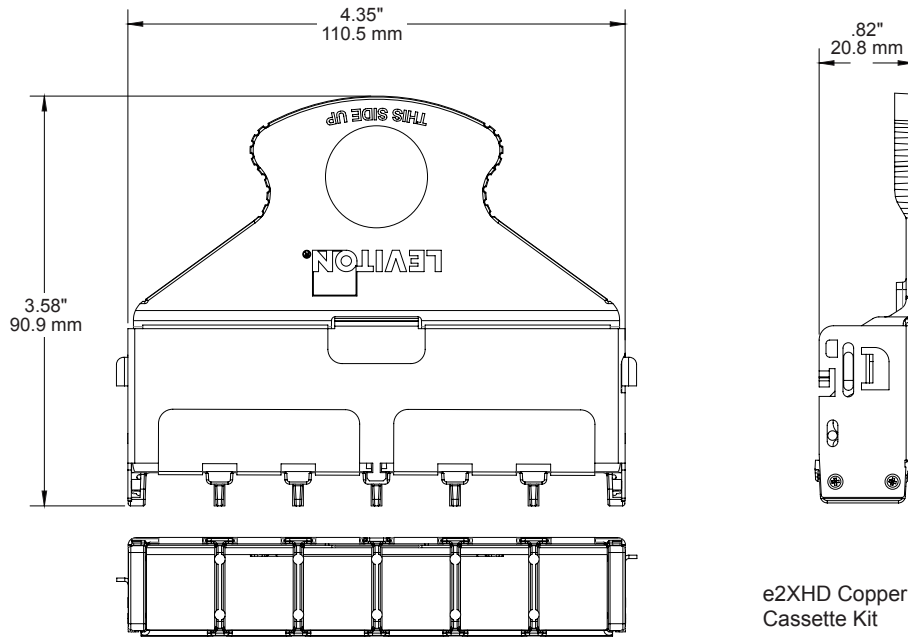
For a copy of Leviton product warranties, visit www.leviton.com.

COUNTRY OF ORIGIN

USA

ELECTRONIC FILES

For CAD files, typical specs, or technical drawings (.DXF, .DWG), visit www.leviton.com.



e2XHD Copper Cassette Kit

e2XHD 6-PORT QUICKPORT CASSETTE

Description	Part No.
e2XHD 6-port QuickPort® Cassette, empty	E2XHD-BRK

e2XHD RELATED PRODUCTS

Description	Part No.
QuickPort Connector Removal Tool	E2XHD-JRT
e2XHD Copper Cassette, terminated to trunk cable	Configure online at leviton.com/e2XHD

QuickPort® Connector Removal Tool



Removes QuickPort modular copper connectors and fiber adapters from cassettes



e2XHD Copper Cassette, terminated to trunk cable

