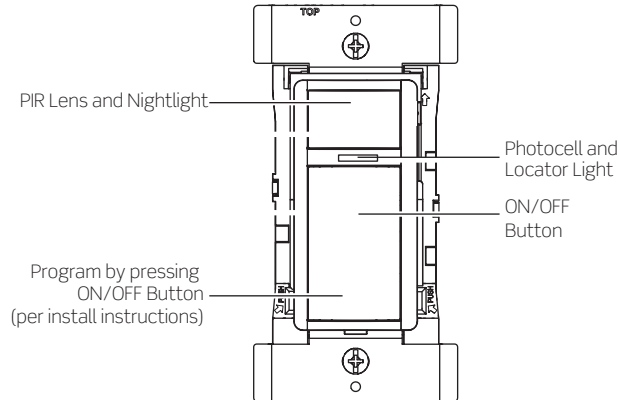


# Smart PIR Wall Switch Sensor



## Description

The Leviton Smart Wall Switch Occupancy Sensor (ODS15-xxx) uses Passive Infrared (PIR) detection technology to monitor a room for occupancy using a segmented, tamper resistant lens. A specialized lens divides the field-of-view into sensor zones. When a person passes in or out of a sensor zone, the sensor detects motion and switches the lights ON. The lights will remain ON as long as an occupant is moving through the sensor zones. The ODS15-xxx's vacancy mode features manual-ON/ auto-OFF for installations where manual-ON switching is required for energy code applications. A "minor motion" zone detects small body movements allowing the lights to stay ON even though a person may not be moving or walking around the room. The "major motion" zone, exhibits a lesser degree of sensitivity and requires larger movements.

Configuration of the ODS15-xxx is made using the Leviton Smart Sensor App from a smartphone or other Bluetooth®-enabled Android or iOS device. Simple configuration can also be applied using pushbutton setup for several popular pre configured options. The ODS15 integrates a photocell for daylighting hold-OFF which can be programmed using the Leviton Smart Sensor App.

Leviton Smart Wallbox Sensors feature antimicrobial treated plastic to help keep its surfaces cleaner and prevent microorganisms from degrading the product. This product contains an antimicrobial agent to inhibit the growth of mold, mildew, fungus and odor-causing bacteria that cause discoloration, staining, deterioration or corrosion on the surface of the device in between normal cleanings.

## Applications

- Office
- Small Lobbies
- Meeting Rooms

## Features

- Can be used to comply with ASHRAE 90.1, IECC and 2019 Title 24, Part 6 occupancy/vacancy sensing, dimming, and manual-ON/auto-OFF requirements
- Fits in a standard wallbox and gangable with other units
- Controls General Purpose plug loads up to 20A and LED lighting loads up to 10A
- One relay module for single-level switching
- 180° field-of-view provides approximately 1,100 square feet of coverage
- Latest PIR technology accurately detects minor motion up to 400sq ft and major motion up to 1,100 sq ft
- Maximum sensing distance in front of the sensor is 30-40 feet and 15-20 feet on either side
- Integrated photocell for daylighting hold-OFF
- Add a Power Pack and Controlled Receptacles for plug load control
- Use the Leviton Push to Pair (P2P) process to create a multi-way system for up to 5 devices
- Antimicrobial treated plastic helps keep the device clean
- Advanced configuration can be performed using the Leviton Smart Sensor App on any Bluetooth-enabled Android or iOS device:
  - Set the operating mode for Occupancy (auto-ON/auto-OFF) or Vacancy (manual-ON/auto-OFF)
  - Adjust sensitivity and timeouts
  - Enable the integrated photocell for daylighting hold-OFF and select target daylighting hold-OFF levels
  - Activate the nightlight and select nightlight color
  - Set a security code to lock configuration settings
- Out-of-the-box configuration default mode:
  - Auto-ON/Auto-OFF with 10-minute timeout
  - Sensitivity set to 75%
  - Nightlight and daylighting disabled

## Leviton Manufacturing Co., Inc. Lighting & Controls

# Product Data

## ODS15-xxx

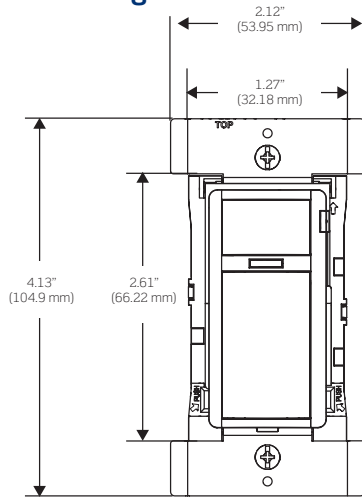
### Features (continued)

- Convenient pushbutton hold configuration for installers without a smart device\*:

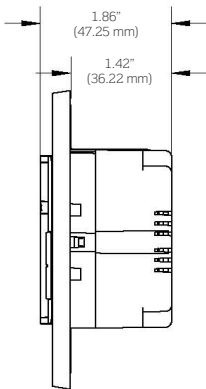
Pushbutton Hold Configuration			
Button (#)	Operating Mode	Sensitivity (%)	Time Out (mins)
1	Auto-ON/ Auto-OFF	75	10
2			20
3		100	10
4			20
5	Manual-ON/ Auto-OFF	75	10
6			20
7		100	10
8			20

\*Requires removal of front face cover

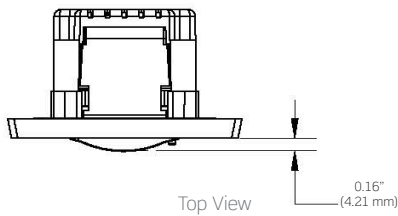
### Dimensions Diagrams



Front View

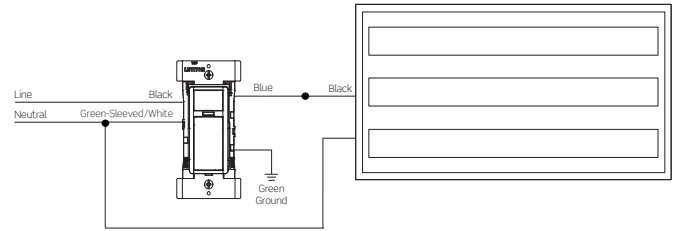


Side View

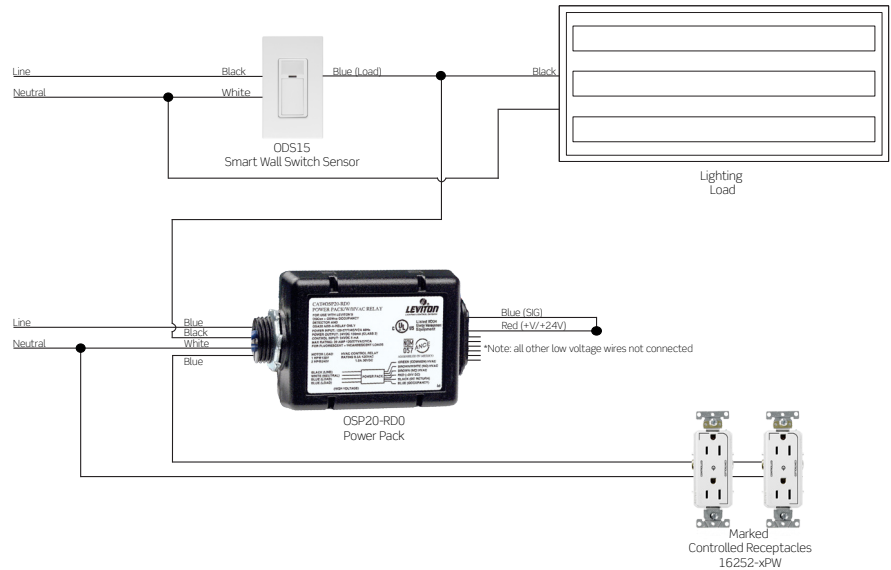
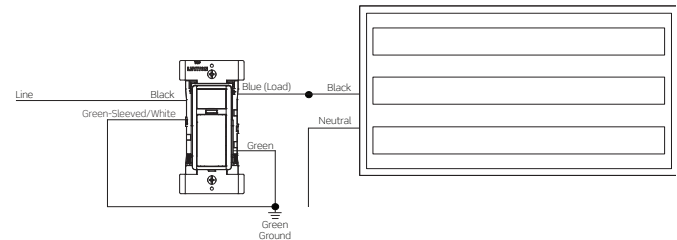


Top View

### Wiring Diagram—Neutral—ODS15-GDx

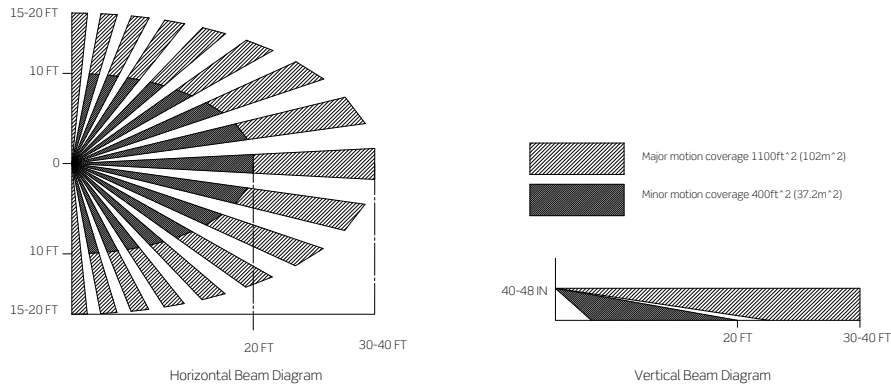


### Wiring Diagram—No Neutral—ODS15-GDx



For Lighting and Plug Load Control

## Field of View Diagram



## Specifications

Electrical	
Input Voltage/Frequency	
120-277VAC	50/60Hz
120VAC	60Hz
Input Current	
120V	Standby: 0.2W Max: 0.5W+Load Current
277V	Standby: 0.3W Max: 0.6W+Load Current
Load Ratings	
General Purpose @ 120V	20A
General Purpose @ 277V*	
LED/Electronic Ballast @ 120V	10A
LED/Electronic Ballast @ 277V*	
Standard Ballast @ 120V	
Standard Ballast @ 277V	
Tungsten @ 120V	6.67A
Tungsten @ 277V	
Motor @ 120V	1/4HP (FLA 5.8A)
Motor @ 277V	1/3HP (FLA 3.0A)
IP Rating	IP710
Network Connections	BLE 4.2, BLE 5.0
Environmental	
Operating Temperature	32 to 104°F (0 to 40°C)
Storage Temperature	-40 to 185°F (-40 to 85°C)
Physical	
Dimensions	4.13" x 2.12" x 1.86" (104.90mm x 53.95mm x 47.25mm)
Other	
Energy Codes	Can be used to comply with ASHRAE 90.1, IECC and 2019 Title 24, Part 6 occupancy/vacancy sensing, dimming, and manual-ON/auto-OFF requirements
Listings	IECC, UL and cUL listed; JIS Z 2801:2000
Certifications	FCC, ICC
Warranty	Limited five-year warranty

\*Only applicable to ODS15-IDW/IDI

### Leviton Manufacturing Co., Inc. Lighting & Controls

201 North Service Road, Melville, NY 11747-3138 **tel** 800-323-8920 **tech line** (8:00AM-10:00PM ET Mon-Fri, 9:00AM-7:00PM ET Sat, 9:00AM-5:00PM ET Sun 800-824-3005

©2022 Leviton Manufacturing Co., Inc. All rights reserved. Subject to change without notice.

**Ordering Information**

<b>Smart Wallbox Sensors</b>	
<b>Cat. No.</b>	<b>Description</b>
ODS15-GDW	Smart PIR Wallbox Sensor, App configurable; Auto-ON/Auto-OFF or Manual-ON/Auto-OFF. no neutral wire required. 120-277VAC, 50/60hz; White
ODS15-GDI	Smart PIR Wallbox Sensor, App configurable; Auto-ON/Auto-OFF or Manual-ON/Auto-OFF. no neutral wire required. 120-277VAC, 50/60hz; Ivory
ODS15-IDW	Smart PIR Wallbox Sensor, App configurable; Auto-ON/Auto-OFF or Manual-ON/Auto-OFF, neutral wire required, 120-277VAC, 50/60Hz; White
ODS15-IDI	Smart PIR Wallbox Sensor, App configurable; Auto-ON/Auto-OFF or Manual-ON/Auto-OFF, neutral wire required, 120-277VAC, 50/60Hz; Ivory
ODS15-I1W	Smart PIR Wallbox Sensor, App configurable; Auto-ON/Auto-OFF or Manual-ON/Auto-OFF, neutral wire required, 120VAC, 60Hz; White
ODS15-I1I	Smart PIR Wallbox Sensor, App configurable; Auto-ON/Auto-OFF or Manual-ON/Auto-OFF, neutral wire required, 120 VAC, 60Hz; Ivory
030-ODS15-GDW	Smart PIR Wallbox Sensor, Antimicrobial, App configurable; Auto-ON/Auto-OFF or Manual-ON/Auto-OFF. no neutral wire required. 120-277VAC, 50/60hz; White
022-ODS15-IDW	Smart PIR Wallbox Sensor, Antimicrobial, App configurable; Auto-ON/Auto-OFF or Manual-ON/Auto-OFF, neutral wire required, 120/208/220/230/240/277VAC, 50/60Hz; White
ODSKT-00E	Smart Switching Wallbox Sensor Color Change Kit, Black
ODSKT-00R	Smart Switching Wallbox Sensor Color Change Kit, Red
ODSKT-00G	Smart Switching Wallbox Sensor Color Change Kit, Gray
ODSKT-00I	Smart Switching Wallbox Sensor Color Change Kit, Ivory
ODSKT-00T	Smart Switching Wallbox Sensor Color Change Kit, Light Almond
ODSKT-00W	Smart Switching Wallbox Sensor Color Change Kit, White

**Note:** Wallplate sold separately. Order 80401-2AW, 1-Gang Decora Wallplate, antimicrobial treated.

**Leviton Manufacturing Co., Inc. Lighting & Controls**

10385 SW Avery Street, Tualatin, OR 97062 **tel** 800-736-6682 **tech line** (6:00AM-4:00PM PT Mon-Fri) 800-959-6004

**Leviton Manufacturing Co., Inc. Global Headquarters**

201 North Service Road, Melville, NY 11747-3138 **tel** 800-323-8920 **tech line** (8:00AM-10:00PM ET Mon-Fri, 9:00AM-7:00PM ET Sat, 9:00AM-5:00PM ET Sun) 800-824-3005

**Visit our Website at: [www.leviton.com/smartsensors](http://www.leviton.com/smartsensors)**

©2022 Leviton Manufacturing Co., Inc. All rights reserved. Subject to change without notice.