

GreenMAX® DRC Line Voltage Room Controller



Product Description

The GreenMAX® DRC Line Voltage Room Controller serves as the “brain” of any GreenMAX DRC Room Control System by coordinating the energy management functions within the room. Each room requires one room controller to connect with components such as load control devices, user interfaces, digital keypads, and sensors.

System Description

The GreenMAX DRC Room Control System offers a fully distributed room control system, with each room operating independently of others; no dependence on network processors or centralized controllers. This revolutionary system is fully configurable via the GreenMAX DRC app for smart devices, and can be used to comply with IECC, ASHRAE 90.1, and 2019 Title 24, Part 6 occupancy/vacancy sensing, multi-level lighting, daylight harvesting, partial-ON, partial-OFF, scheduling, exterior lighting, demand response and receptacle control requirements.

GreenMAX DRC App

Wirelessly commission, configure, control, monitor and provision the GreenMAX DRC system using the GreenMAX DRC App designed for any WiFi-enabled Android or iOS smart device.

Applications

- Single room controller for GreenMAX DRC systems—one required per room
- Use in place of GreenMAX DRC Smart Pack and Low Voltage Controller

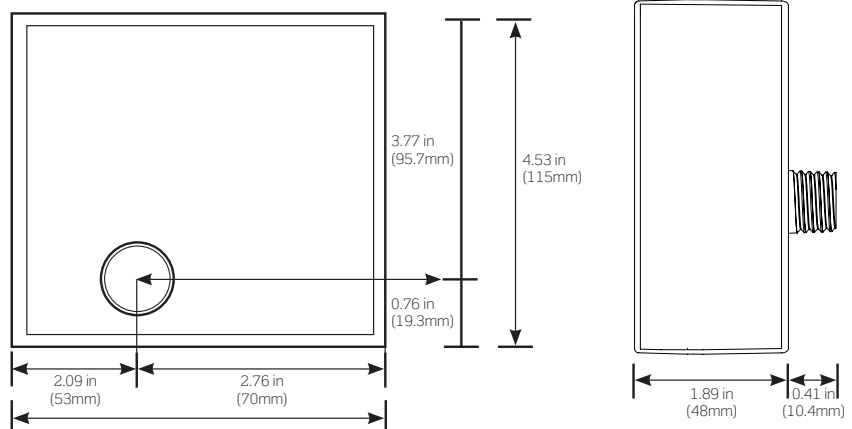
Use With These Leviton Systems

- GreenMAX DRC
- GreenMAX Relays
- Sapphire™ Touchscreen

Features

- Line voltage models can install into knockout or act as cover for a 4” square box—includes relay and 0-10V control
- Connects to building WiFi network for configuration and communication between rooms, or is its own access point for direct connection
- Emergency control—UL924 rated, monitors local normal power through the control input and ensures device is on upon normal power failure
- UL2043 Plenum rated—for use in Chicago Plenum applications—see technical article
- 0-10V control and power relay rated for all common load types:
 - LED
 - Fluorescent
 - Tungsten
 - Resistive
 - Motor loads
- Power supply output short circuit protection

Dimensions



Specifications

Electrical	Line Voltage (120-277) DRC07-ED0	Line Voltage (347V) DRC00-030
Power Input	120-277VAC, 50/60Hz	347VAC, 60Hz
Output	20A relay + 0-10V sinking control; 300mA supply to LumaCAN output	
Control Output	0-10V, 100mA sinking, Class 1 or Class 2 wiring	
Network Requirements	LumaCAN network input and output, RJ45 connectors	
Environmental		
Operating Temperature Range	32° to 104° F (0° to 40° C)	
Storage Temperature Range	14° to 185° F (-10° to 85° C)	
Relative Humidity	0 to 90% non-condensing, for indoor use only	
Other		
GreenMAX DRC System Listings	UL, cUL, UL924, UL2043, UL File E148771, FCC, NOM	
Energy Codes	Can be used to comply with IECC, ASHRAE 90.1, and 2019 Title 24, Part 6 occupancy/vacancy sensing, 0-10V dimming, daylight harvesting, partial-ON, partial-OFF, demand response and receptacle control requirements	
Warranty	5-year	
Connectivity		
LumaCAN	(2) RJ45	
Wireless	WiFi for local configuration or connection to building network	
Configuration	GreenMAX DRC App for configuration and monitoring	
Max Node Count per Room Controller	50	
Network Connections	(2) RJ45, CAT6 or better for connection to LumaCAN network. Termination provided via local termination switch	
Network Topology	Daisy chain, 1600' max between repeaters Home-run topology and network length up to 10,000 ft can be achieved when using LumaCAN network repeaters (NPRPT) Maximum 110 nodes between repeaters Maximum 250 nodes on a LumaCAN network	

Ordering Information

DRC Line Voltage Room Controller	
Cat. No.	Description
DRC07-ED0	GreenMAX DRC Room Controller with interface to LumaCAN, Lumina RF/ZigBee, and WiFi networks, 120-277VAC, 50/60Hz, 0-10V, line voltage
DRC07-E30	GreenMAX DRC Room Controller with interface to LumaCAN, Lumina RF, ZigBee, and WiFi networks, 347VAC, 60 Hz, 0-10V, line voltage

Leviton Manufacturing Co., Inc. Lighting & Controls

10385 SW Avery Street, Tualatin, OR 97062 **tel** 800-736-6682 **tech line** (6:00AM-4:00PM PT Mon-Fri) 800-959-6004

Leviton Manufacturing Co., Inc. Global Headquarters

201 North Service Road, Melville, NY 11747-3138 **tel** 800-323-8920 **tech line** (8:00AM-10:00PM ET Mon-Fri, 9:00AM-7:00PM ET Sat, 9:00AM-5:00PM ET Sun) 800-824-3005

Visit our Website at: www.leviton.com/greenmaxdrc

©2023 Leviton Manufacturing Co., Inc. All rights reserved. Subject to change without notice.

G-10361B/F23-mm
REV JUN 2023