



LEVITON
Applications Cookbook
ASHRAE Standard 90.1 2016
Version 5.0

FOR REFERENCE ONLY

ASHRAE 90.1 SOLUTIONS COOKBOOK NOTES

1. Refer to manufacturer's data sheets and installation instructions prior to installation
2. Line feed 120/230/277 VAC, 60 Hz
3. Ground not shown, ground devices per applicable national and local codes are best practices
4. For emergency power situations, illustrations assume transfer switch by others upstream of shown devices
5. Line voltage load not to exceed contact rating per device specifications
6. Power packs receiving separate feeds for switched loads and self power must have both feeds on the same phase
7. All low voltage devices consume current. Device power budget is estimated for these details—additional power sources may be required. See product literature for power specifications
8. Maximum run length for analog wiring is 1000' @ #18 AWC
9. Sensors wired in parallel will cause line voltage relay closure when occupancy is detected by any unit
10. Devices in series requiring contact closure from a single device (clock input, demand response, emergency, etc.) must follow these wiring conventions:
 - First device in sequence provides the +V to the triggering relay
 - Signal from closure attached to all devices in sequence input
 - Com from first device in sequence attached to com on all devices in sequence
11. Ultrasonic ceiling mount sensors should be located a minimum of six (6) feet from HVAC supply/return vents
12. Trough-mounted and pendant-mounted indirect lighting sources affect the operation of locally mounted sensors. Contractor is responsible for adjusting sensor locations to allow for proper operation
13. Contractor is responsible for proper sensitivity and time delay settings for non-adaptive products, following the manufacturer's recommended placement, and field verification of circuits with respect to power pack placement
14. Contractor is responsible for coordinating the operational options of sensors and power packs with the specific work requirements
 - Work relevant energy code requirements affect circuits to be controlled and their control characteristics
 - One power pack is required for each controlled circuit
 - Refer to power pack data sheet for power output and installation guide for maximum number of sensors connected to a power pack
 - If multiple circuits are to be controlled by a sensor, auxiliary relays may be used in conjunction with a power pack
15. Ceiling sensors mounted over doorways should be placed one (1) foot inside the threshold
16. Up to 100 Mark VII style ballasts may be controlled per daylighting zone by IRC
17. All relays shown in de-energized state
18. Individually cap off unused leads
19. One-line parenthesis use:
 - (X) Function
 - [#] Terminal
20. Plug load control—commercial receptacle P/Ns:
 - STANDARD DUPLEX:
 - Split control (1 outlet) CR015-1Px, CR020-1Px
 - Full control (2 outlets) CR015-2Px, CR020-2Px
 - DECORA®:
 - Split control (1 outlet) 16252-1Px, 16352-1Px
 - Full control (2 outlets) 16252-2Px, 16352-2Px

ABBREVIATIONS:

LC	LumaCAN
LV	Low voltage
HV	High voltage switch (maintained)
LVM	Low voltage switch (momentary) Equal to Leviton 1081 (toggle) OR Leviton 56081 (Decora)
LVT	Low voltage switch (maintained) Equal to Leviton 12021-2 (toggle) or Leviton 56021-2 (Decora)
LV2	IRC low voltage switch
UON	Unless otherwise noted
BLK	Black
WHT	White
BLU	Blue
YEL	Yellow
ORG	Orange
VIO	Violet
BRN	Brown

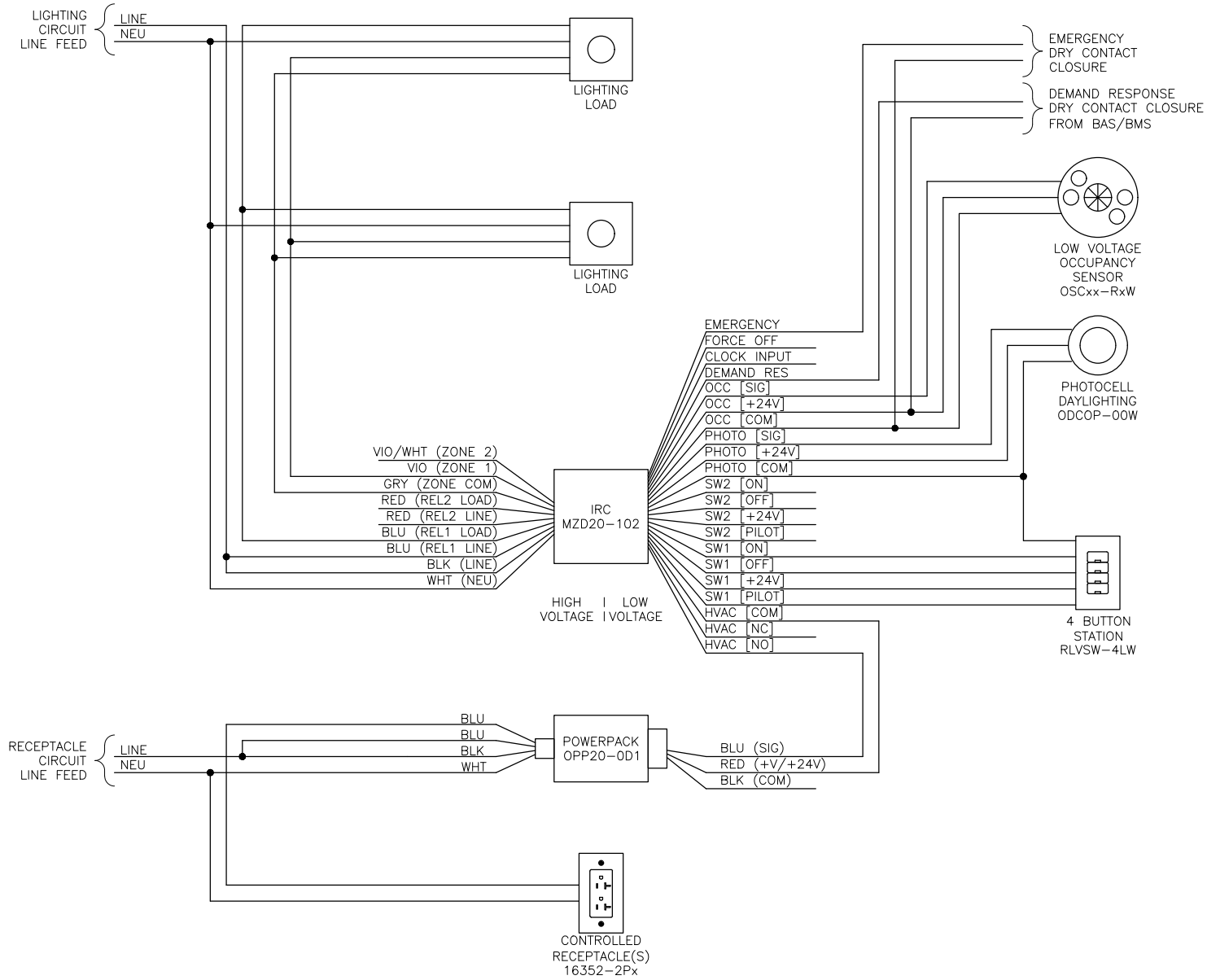
SYMBOLS:



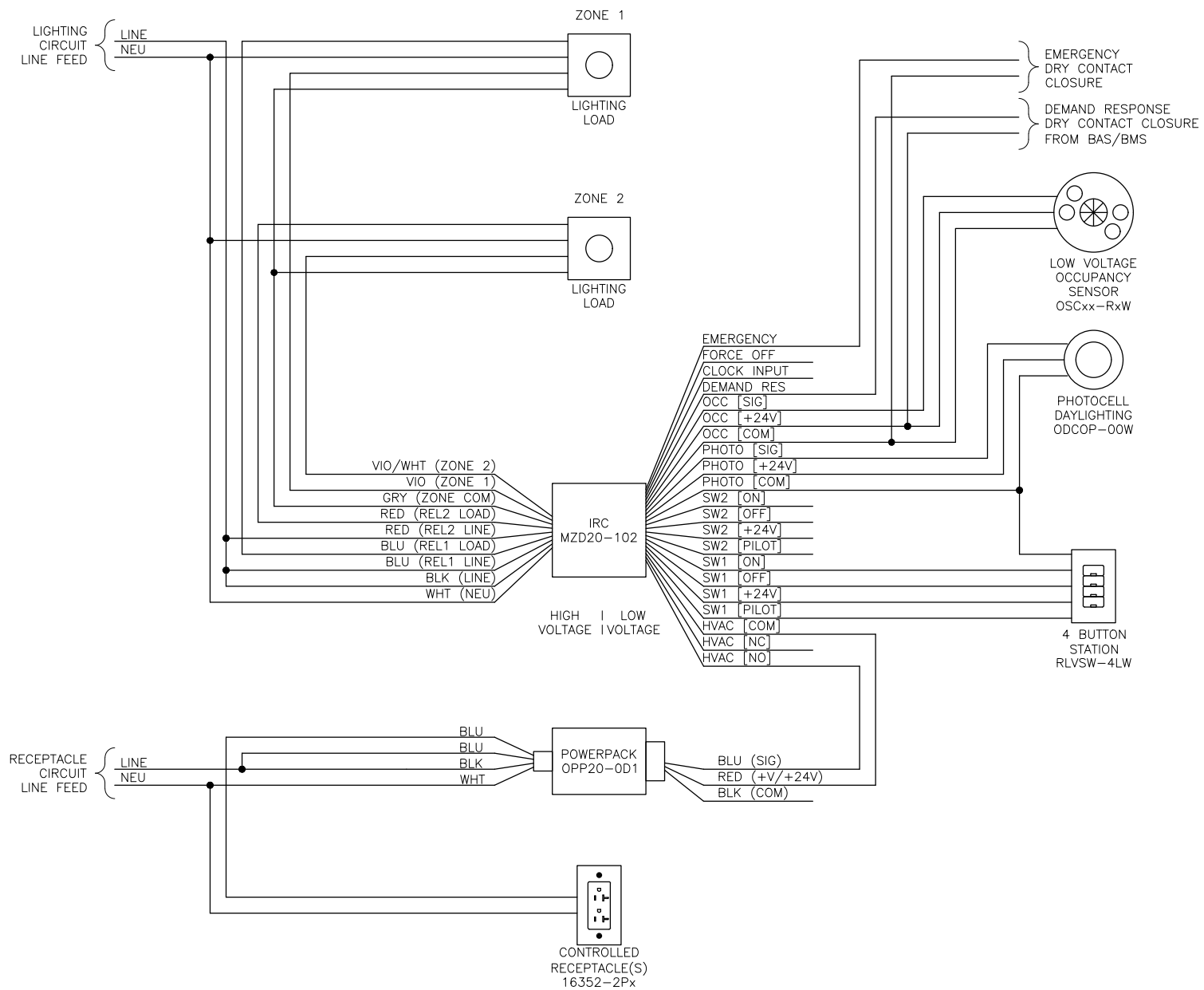
TABLE OF CONTENTS

PAGE	DESCRIPTION
4	Small Office—IRC Single Zone
5	Small Office—IRC Dual Zone
6	Small Office—PRC Single Zone
7	Small Office—PRC Dual Zone
8	Small Office—Intellect Single Zone
9	Small Office—Intellect Dual Zone
10	Small Office—LevNet RF™ 902 MHz
11	Open Office—Sector®
12	Open Office—Intellect
13	Open Office— GreenMAX® and DRC
14	Open Office—IRC
15	Conference Room—D4000
16	Conference Room—GreenMAX
17	Conference Room—Intellect
18	Classroom—IRC
19	Classroom—PRC
20	Classroom—Intellect
21	Classroom—LevNet RF 902 MHz
22	Common Area—IRC
23	Common Area—PRC
24	Common Area—Intellect
25	Library—LevNet RF
26	Retail Space—EZ-MAX Plus
27	Stairwell—IRC
28	Sidelit Walkway—IRC
29	Warehouse—GreenMAX
30	Warehouse—OSF20-ILW/OSFHP-ILW-DRC
31	Parking Garage—GreenMAX
32	Parking Garage—NorthStar
33	Site Lighting—NorthStar
34	Parking Garage (<5A), NorthStar
35	Parking Garage (>5A), NorthStar
36	Site Lighting, Occupancy Sensor Per Fixture, NorthStar
37	Site Lighting—EZ-MAX® Plus

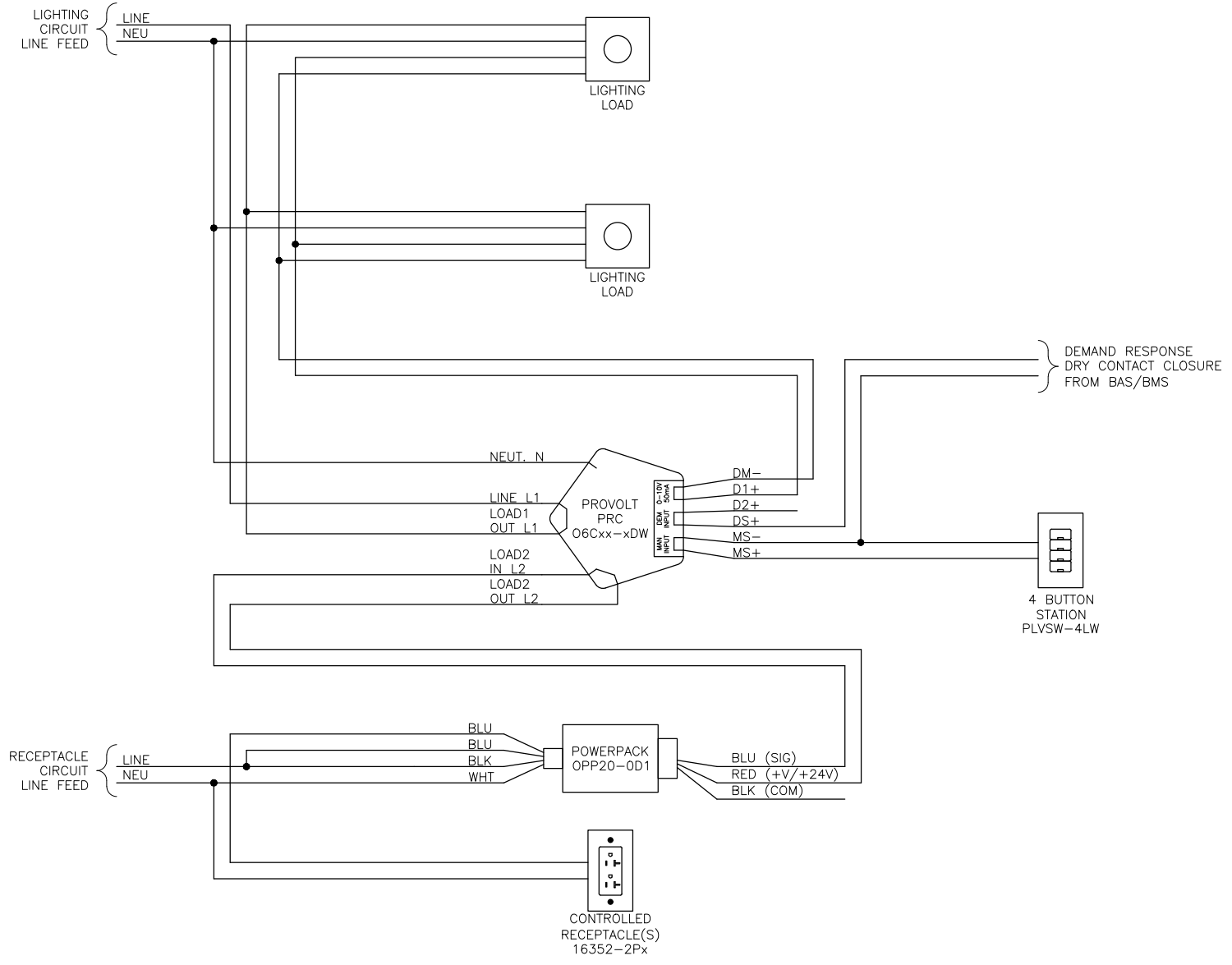
SMALL OFFICE—IRC SINGLE ZONE



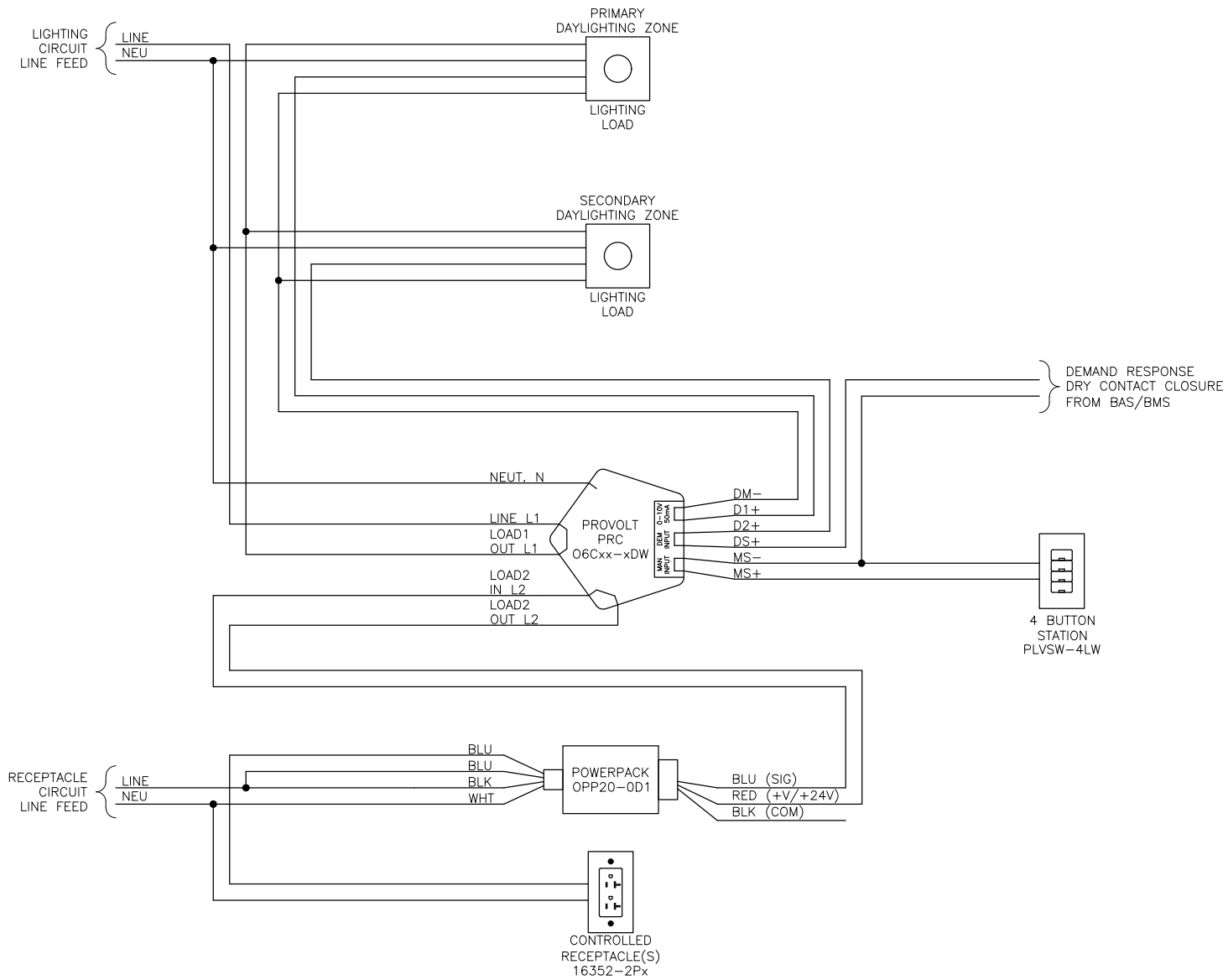
SMALL OFFICE—IRC DUAL ZONE



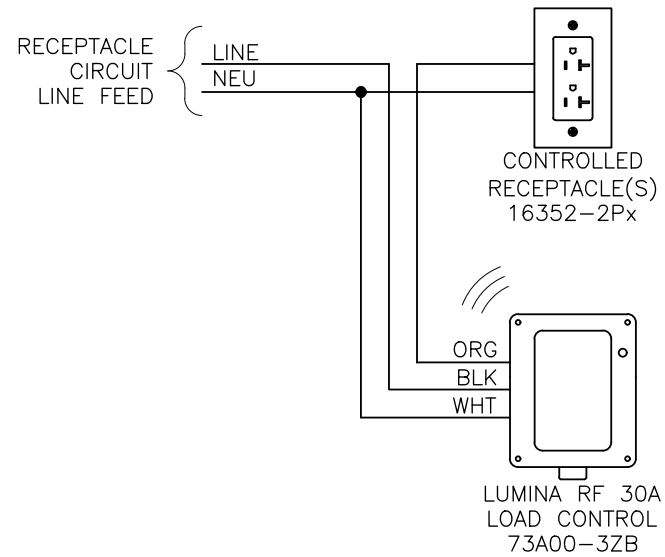
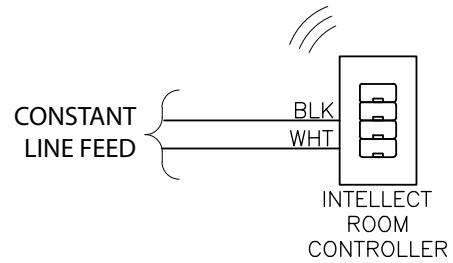
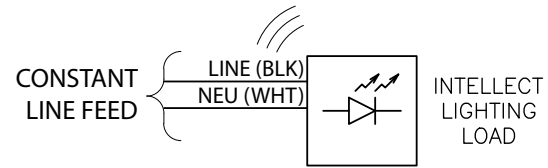
SMALL OFFICE—PRC SINGLE ZONE



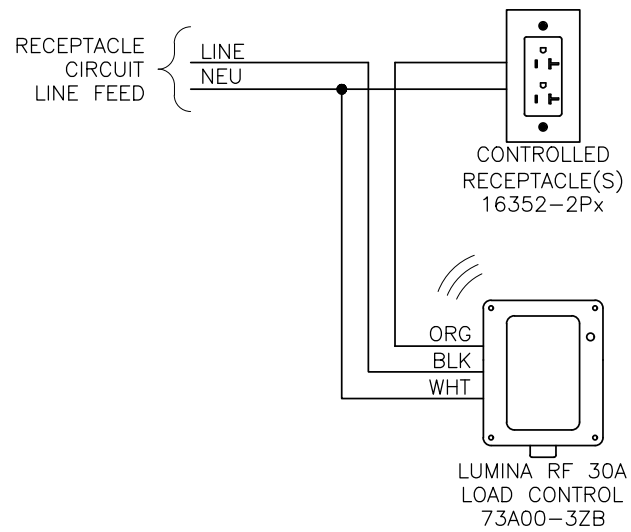
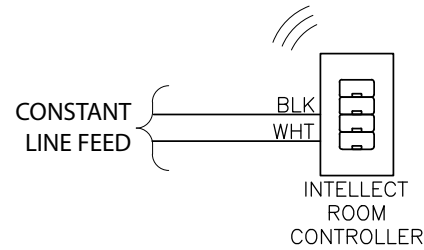
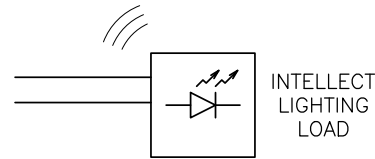
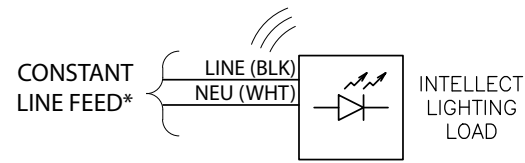
SMALL OFFICE—PRC DUAL ZONE



SMALL OFFICE—INTELLECT SINGLE ZONE

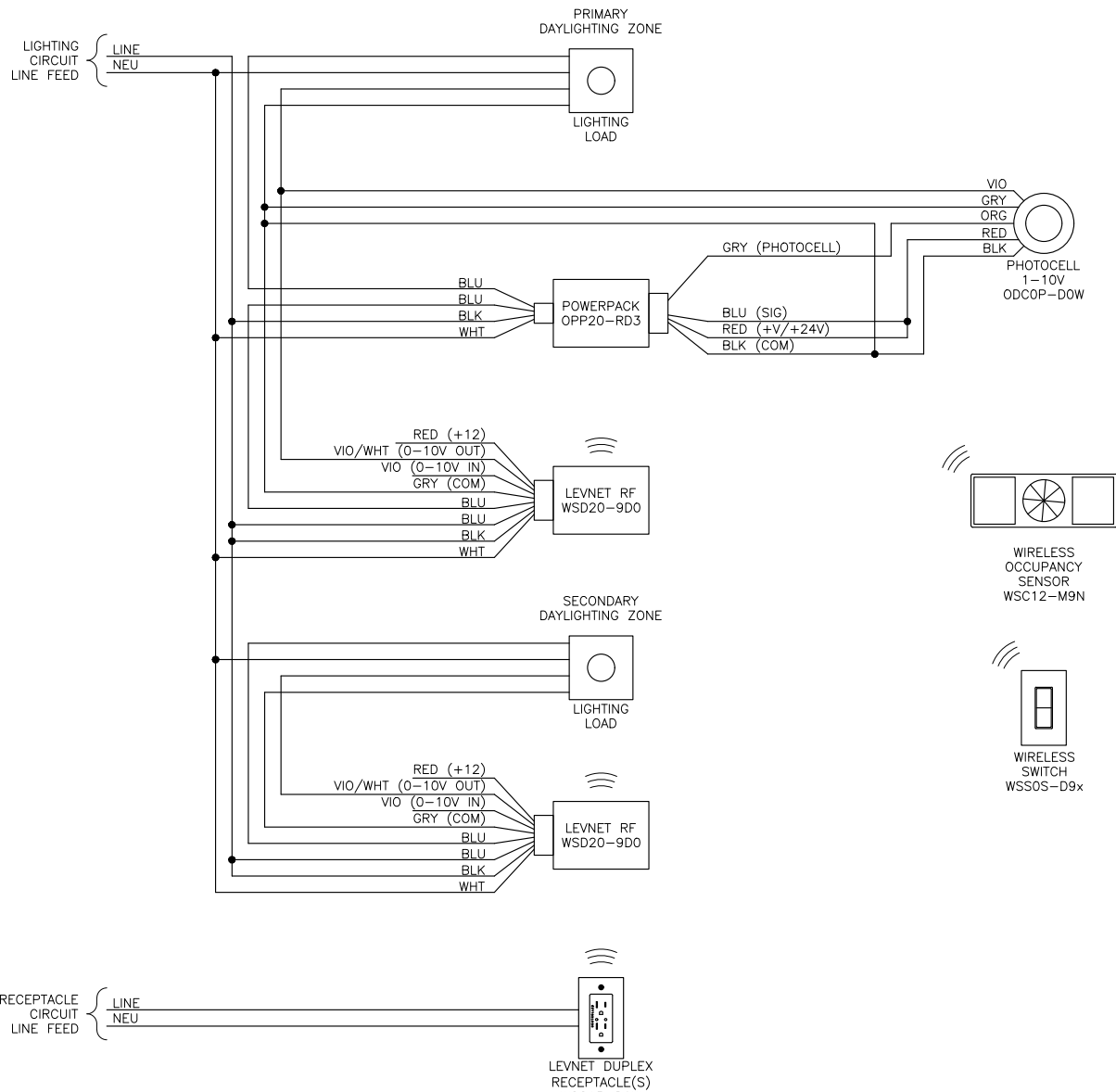


SMALL OFFICE—INTELLECT DUAL ZONE



*TYPICAL AT ALL FIXTURES

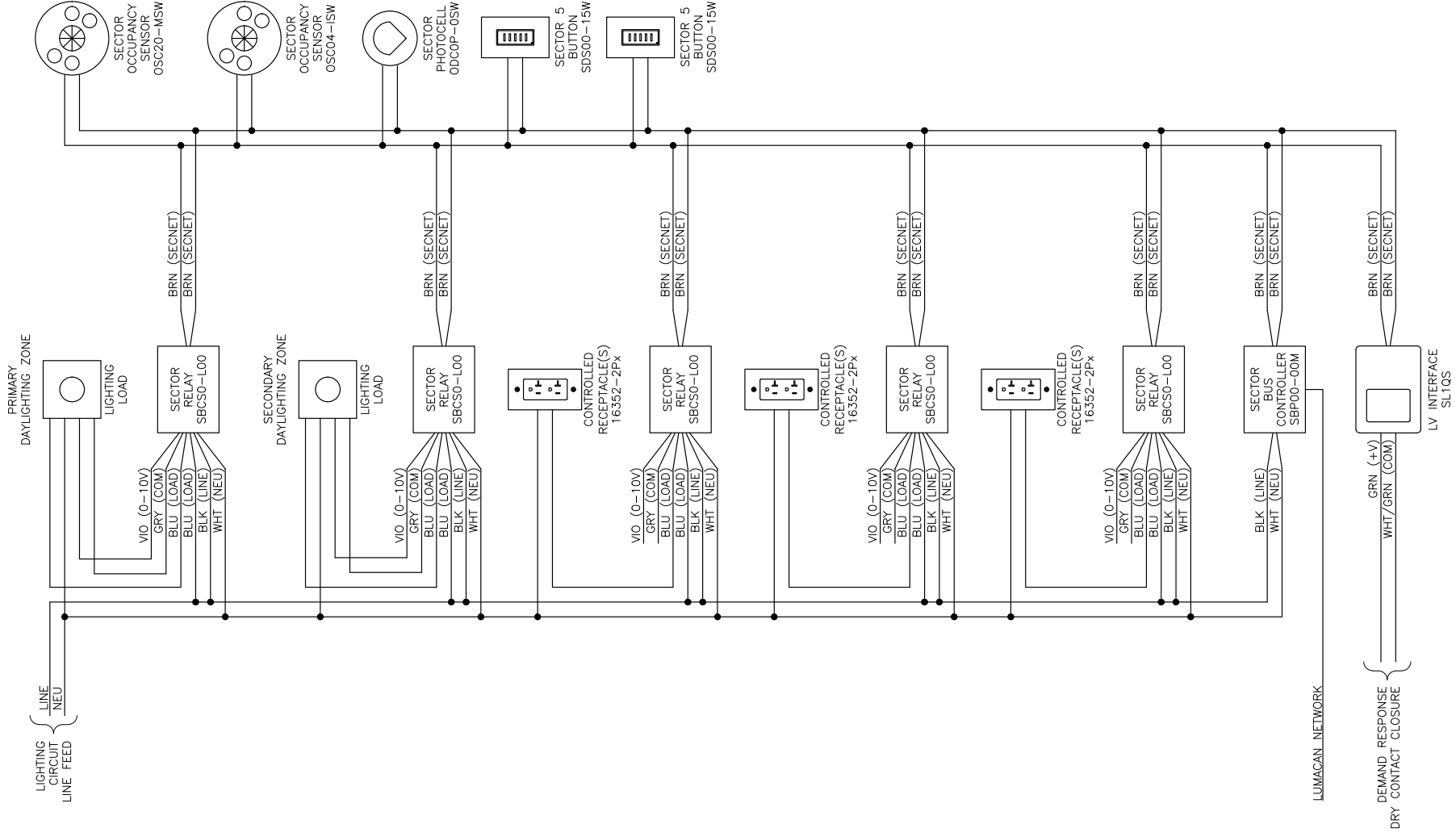
SMALL OFFICE—LEVNET RF 902 MHZ



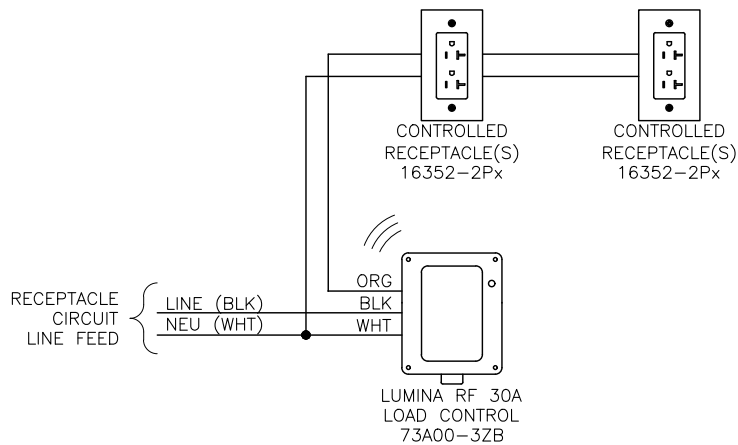
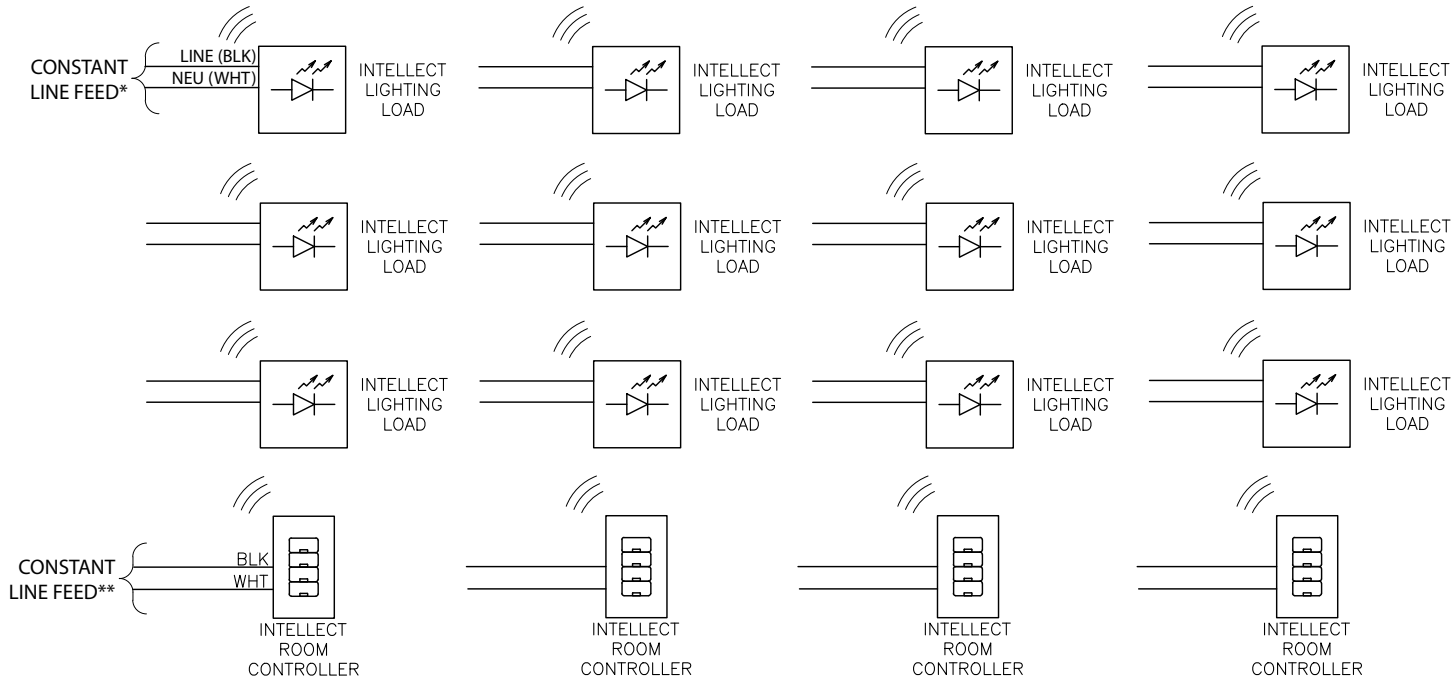
NOTES:

1. FOR 0-10V CONTROL, LOWEST LIGHTING LEVEL TAKES PRECEDENCE.
2. WIRELESS CONTROL SIGNAL FROM SWITCHES, SENSORS CONTROLLERS UP TO 150FT.
3. INDIVIDUALLY CAP UNUSED LEADS.

OPEN OFFICE—SECTOR



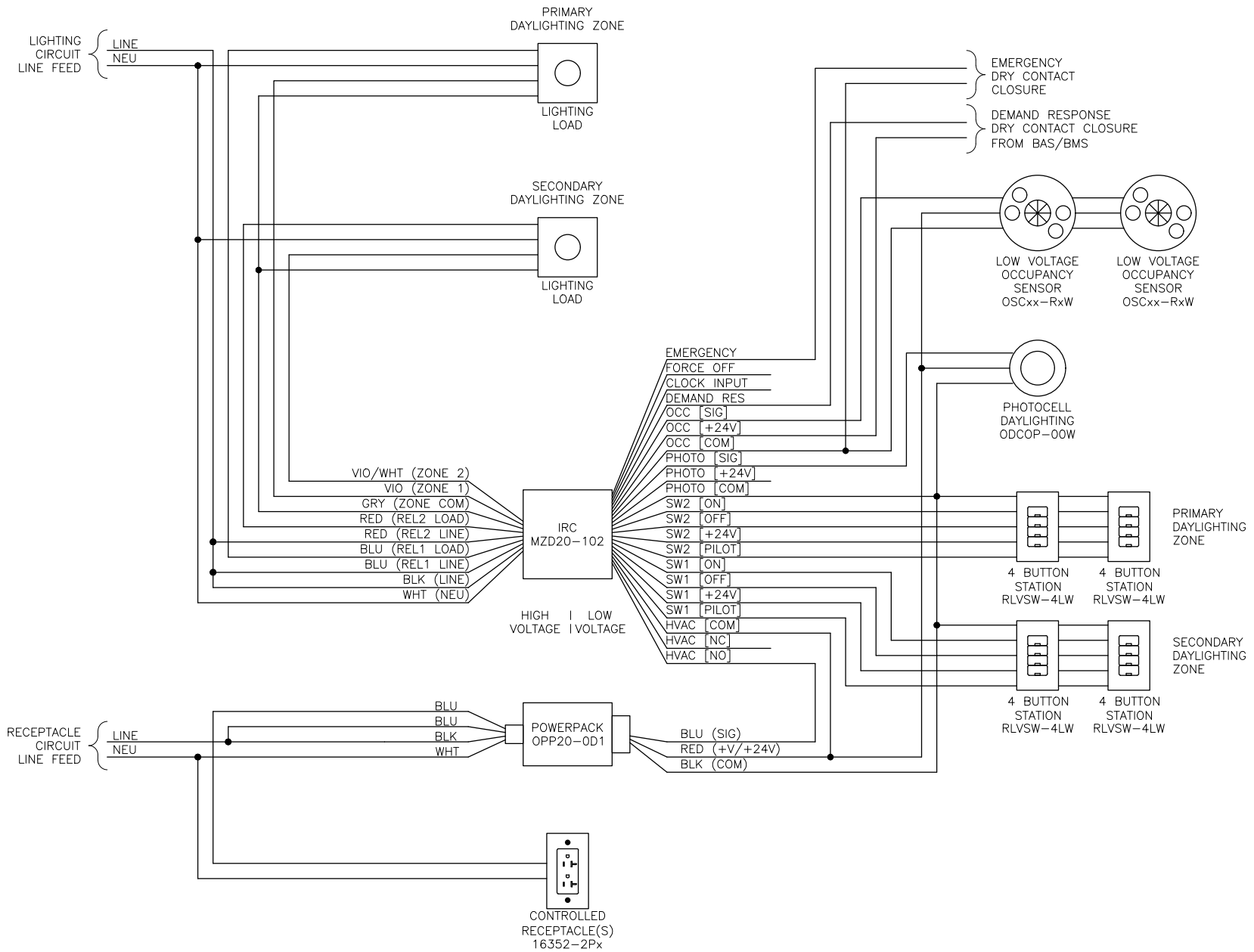
OPEN OFFICE—INTELLECT



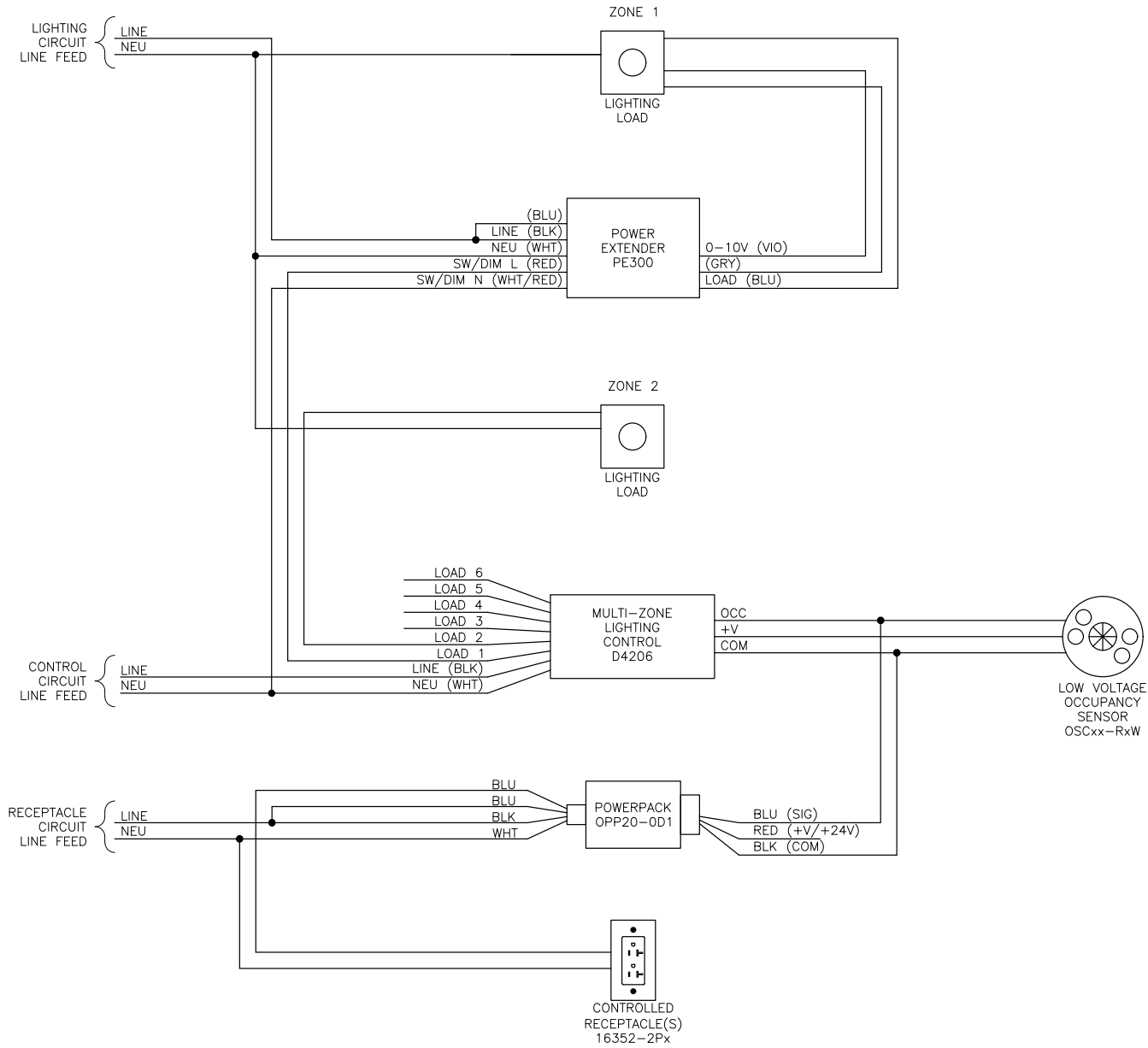
*TYPICAL AT ALL FIXTURES

**TYPICAL AT ALL CONTROLLERS

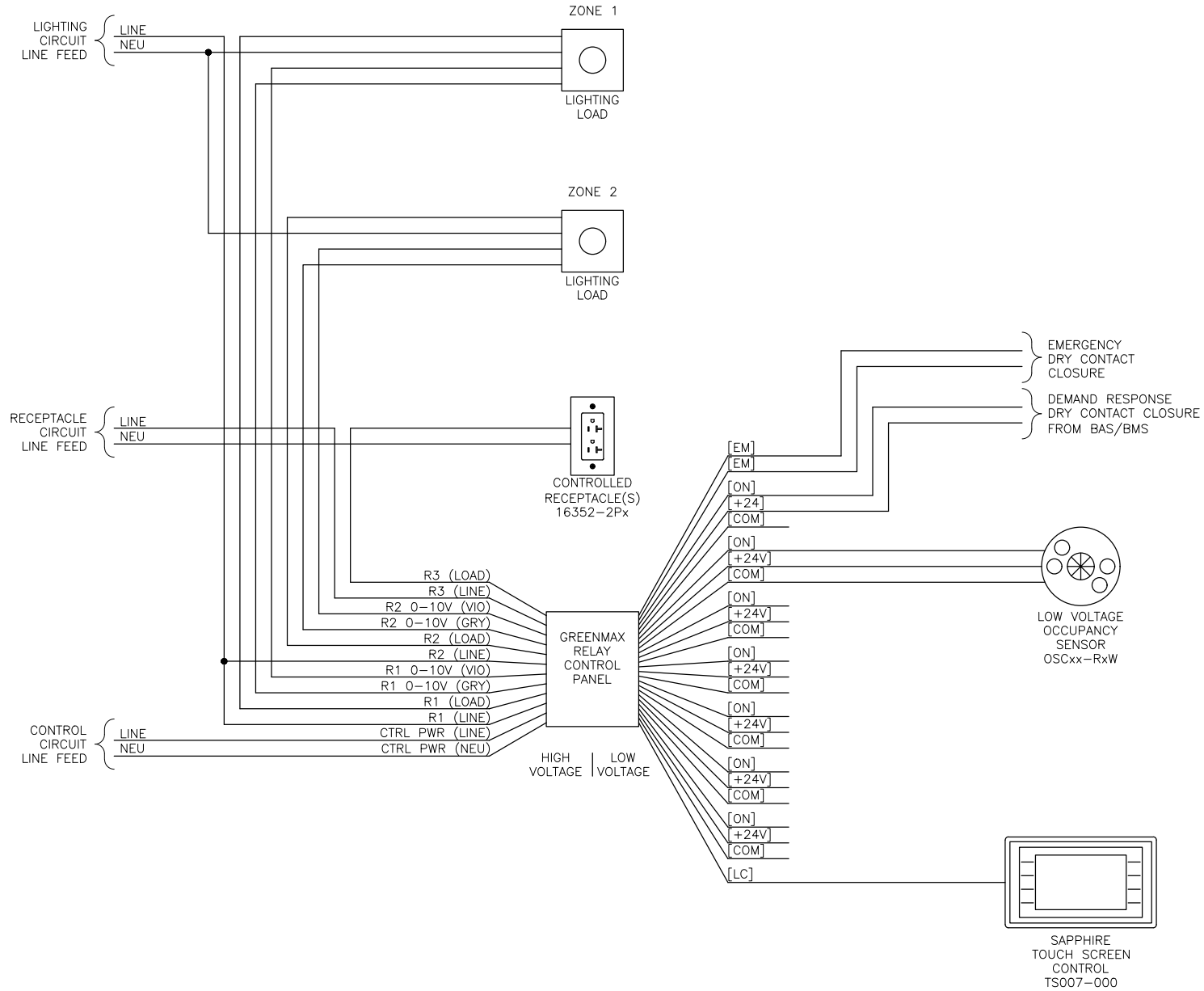
OPEN OFFICE—IRC



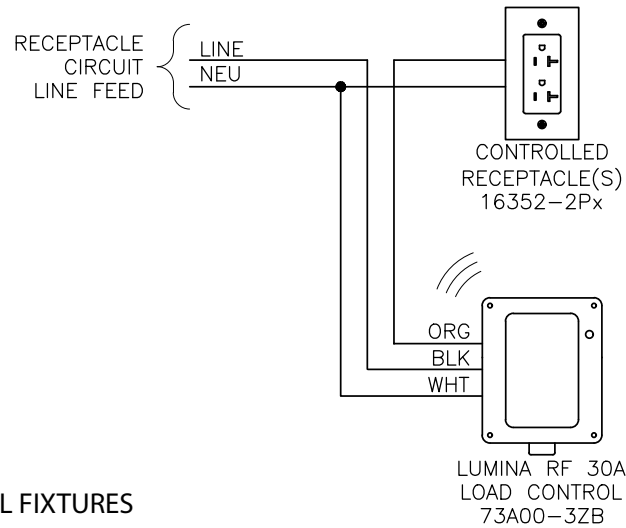
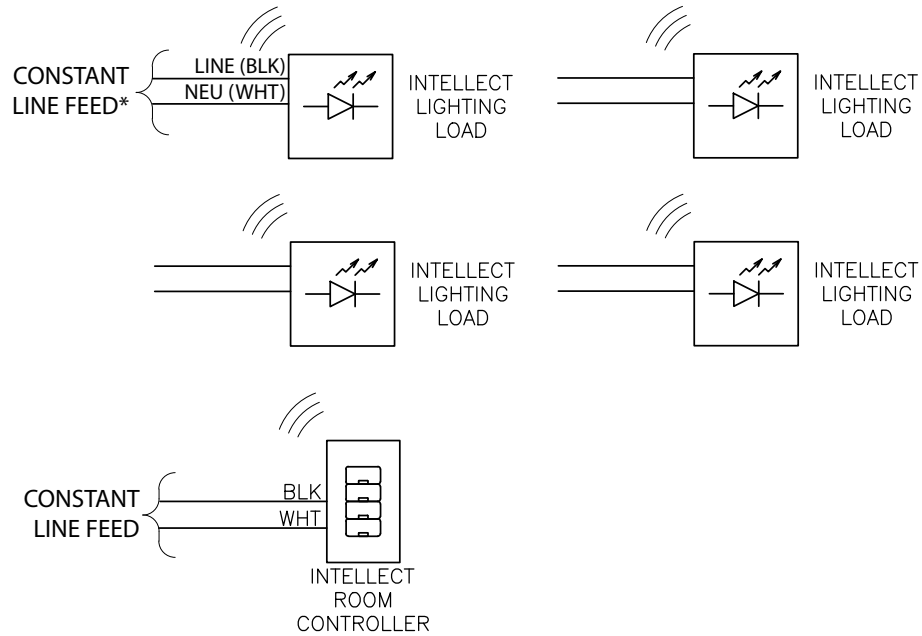
CONFERENCE ROOM—D4000



CONFERENCE ROOM—GREENMAX

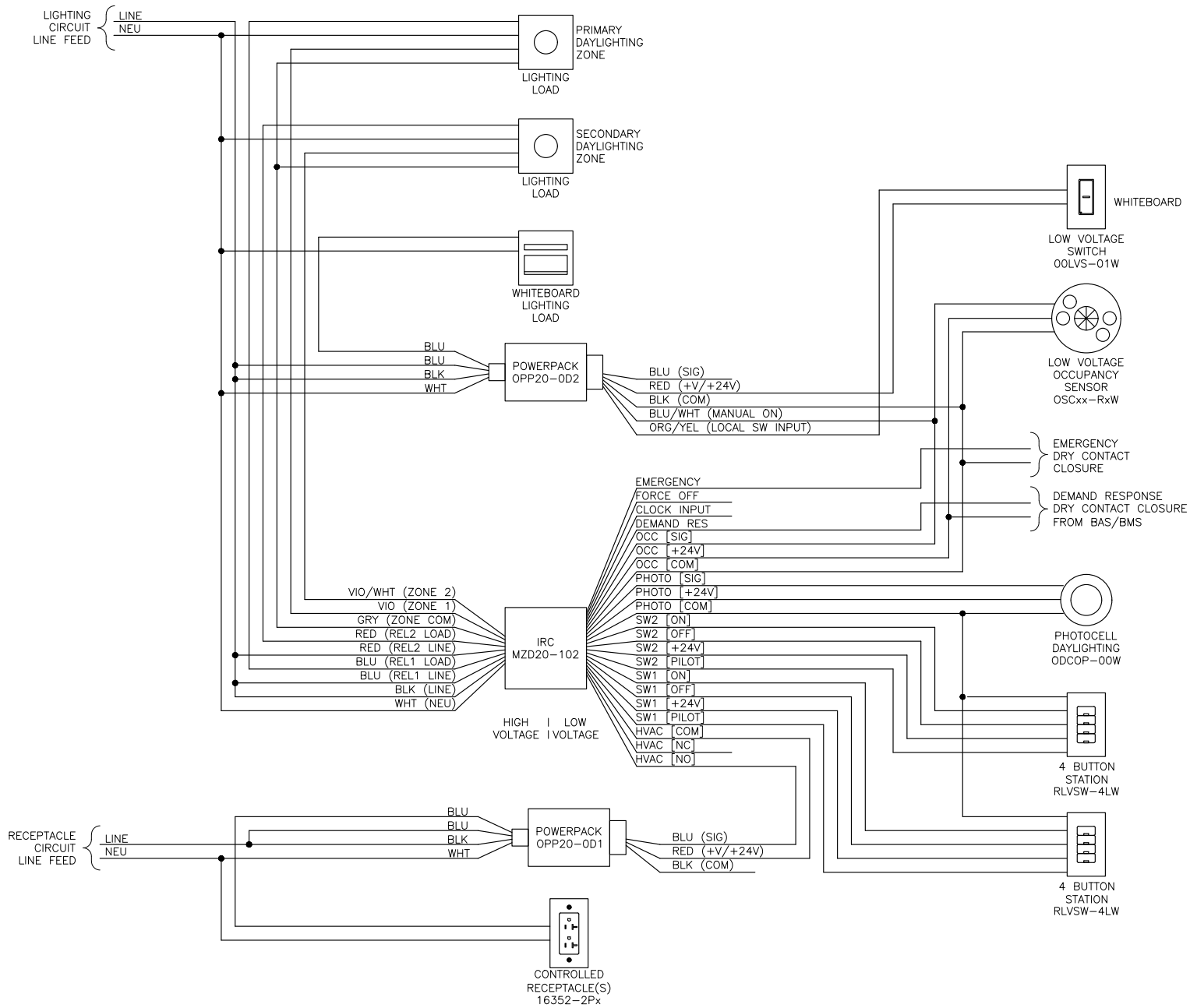


CONFERENCE ROOM—INTELLECT

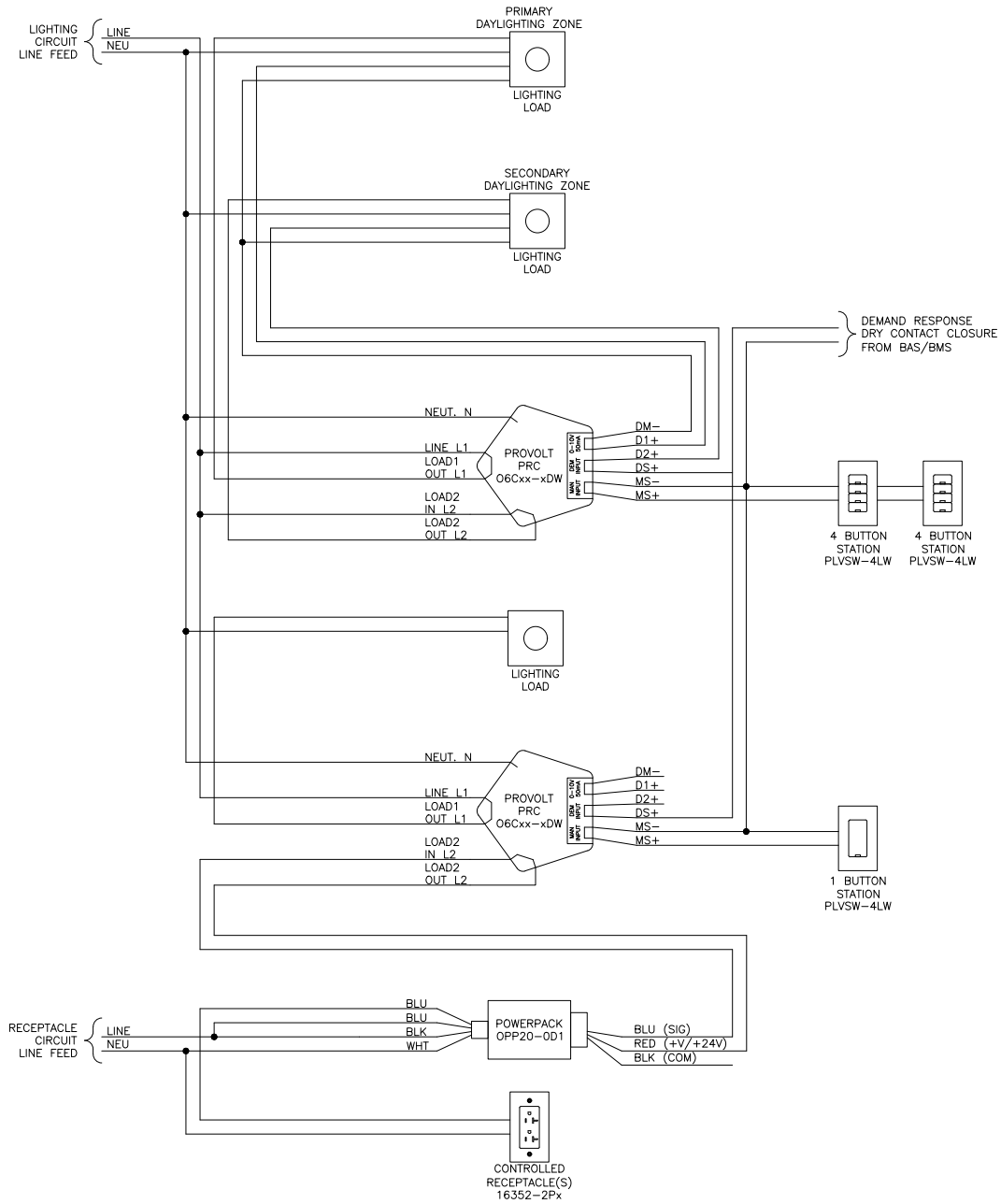


*TYPICAL AT ALL FIXTURES

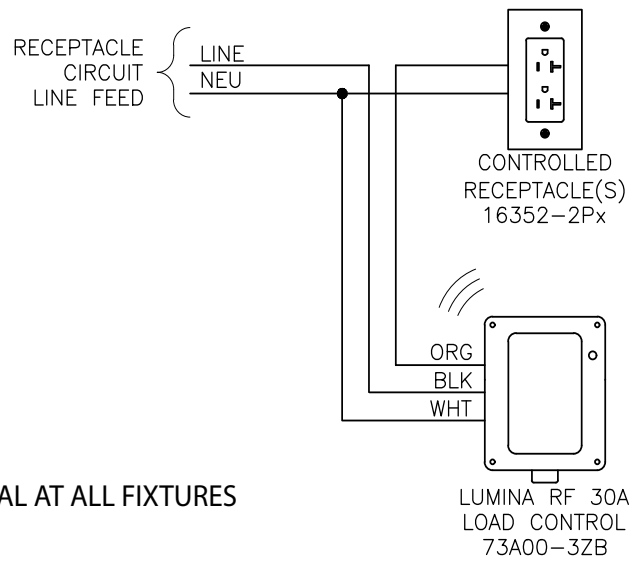
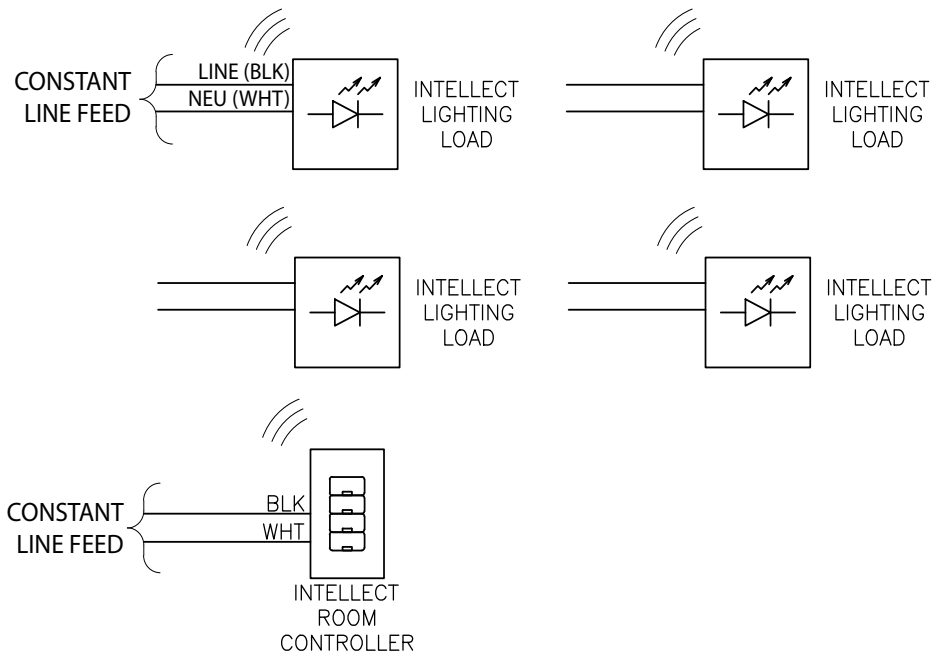
CLASSROOM—IRC



CLASSROOM—PRC

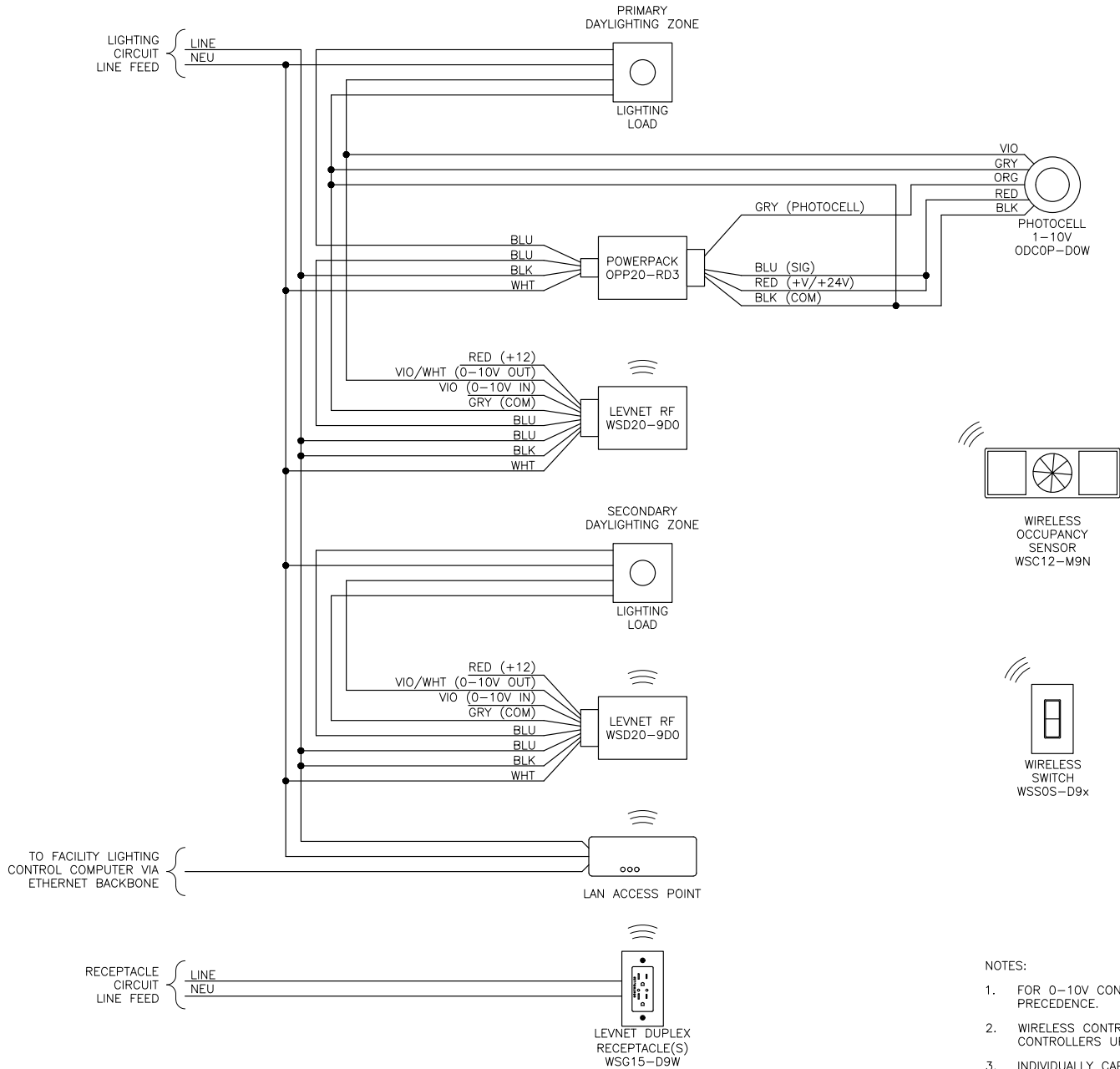


CLASSROOM—INTELLECT



*TYPICAL AT ALL FIXTURES

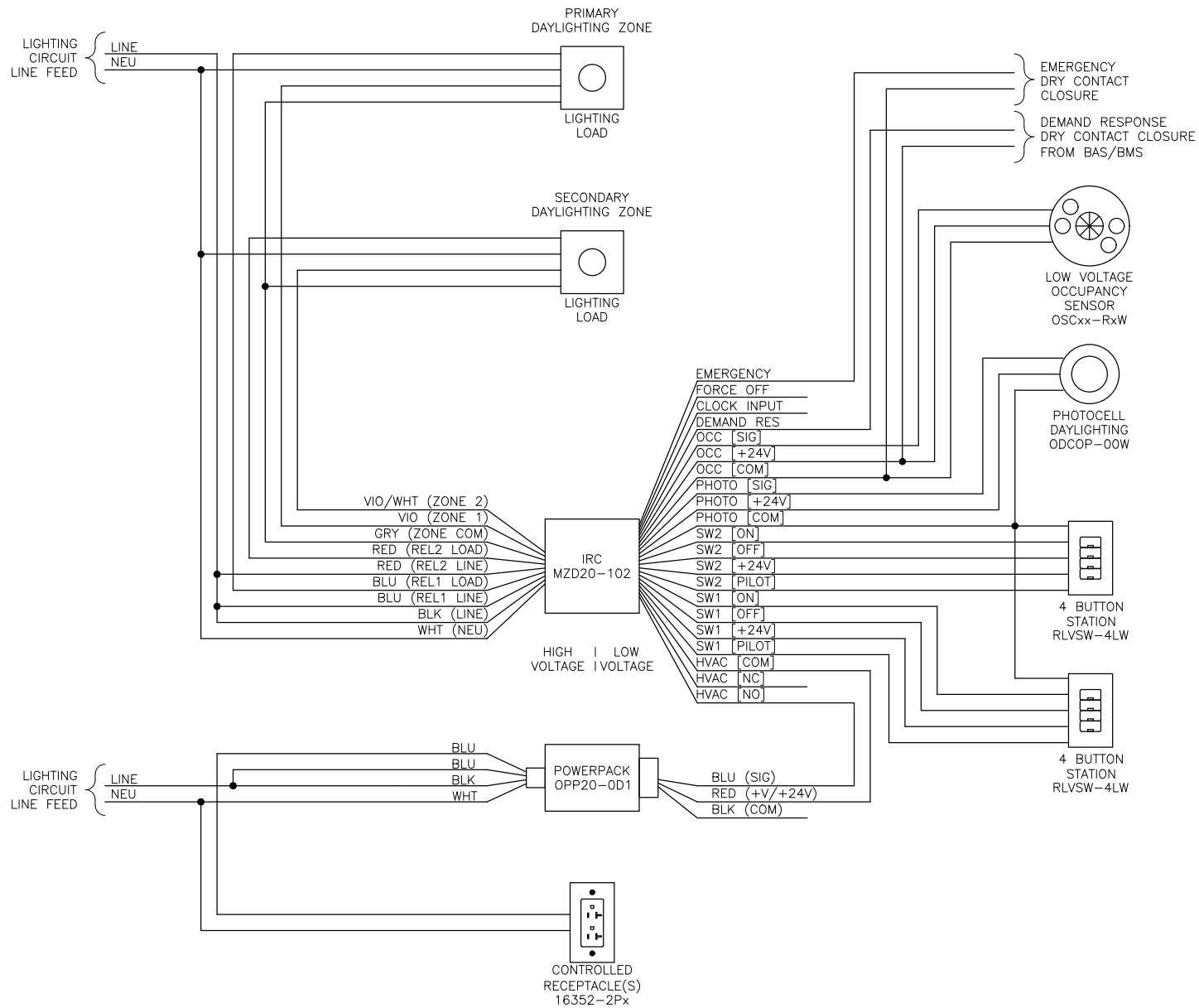
CLASSROOM—LEVNET RF 902 MHZ



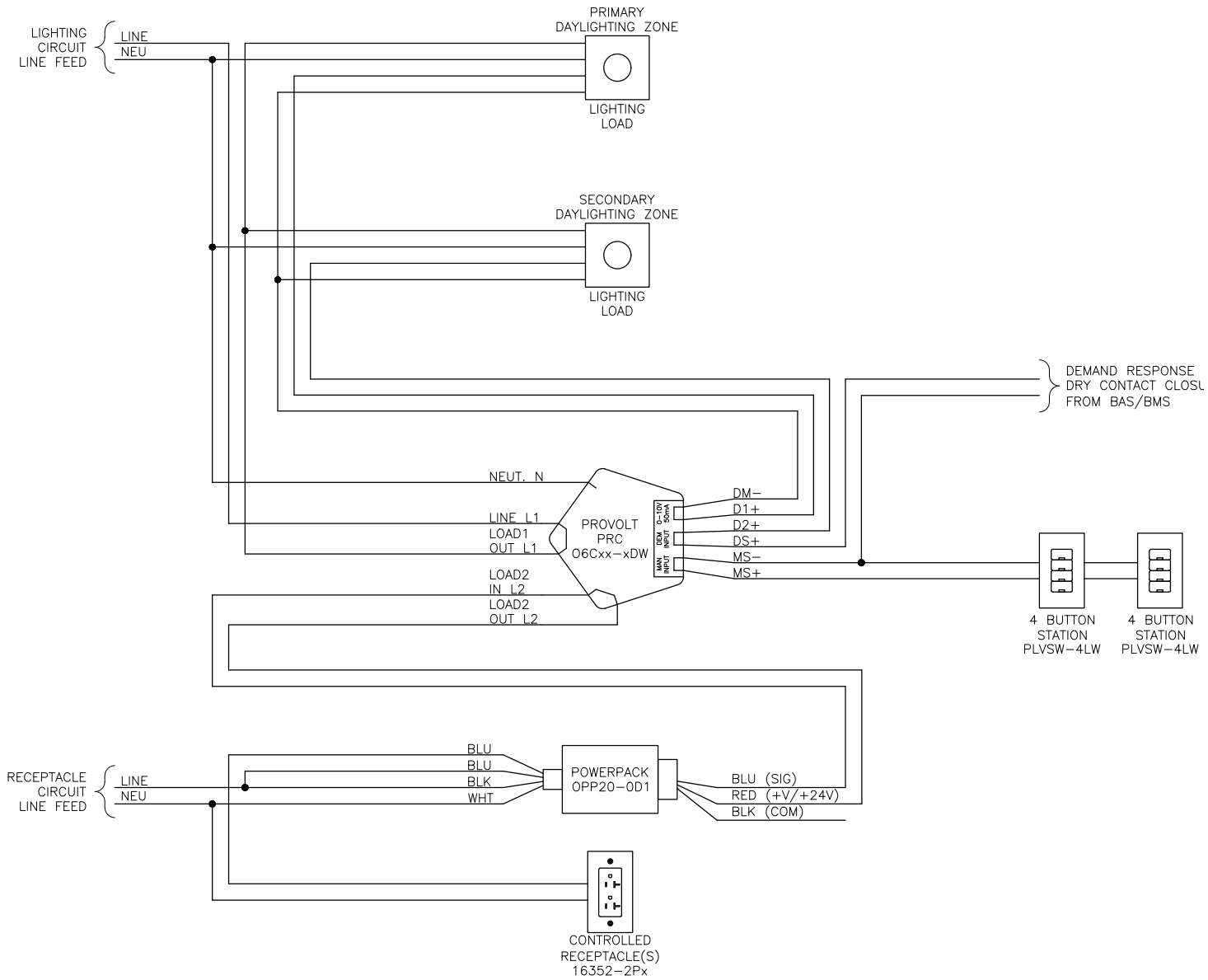
NOTES:

1. FOR 0-10V CONTROL, LOWEST LIGHTING LEVEL TAKES PRECEDENCE.
2. WIRELESS CONTROL SIGNAL FROM SWITCHES, SENSORS OR CONTROLLERS UP TO 150FT.
3. INDIVIDUALLY CAP UNUSED LEADS.

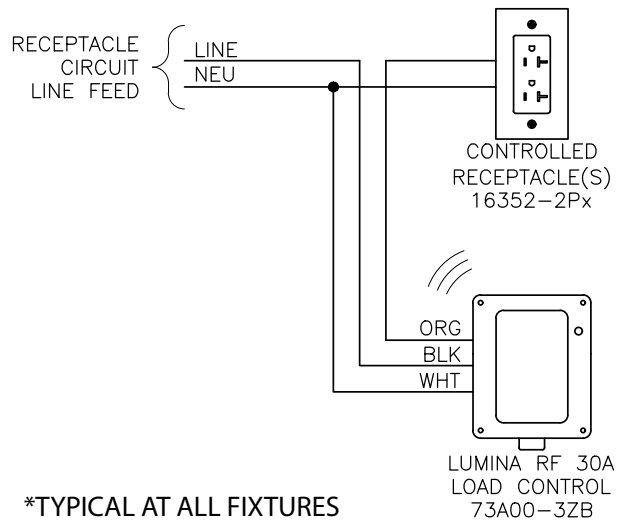
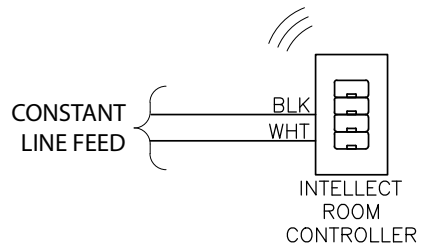
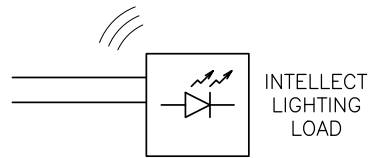
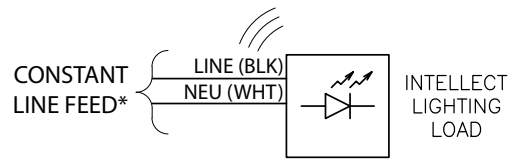
COMMON AREA—IRC



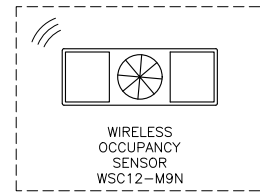
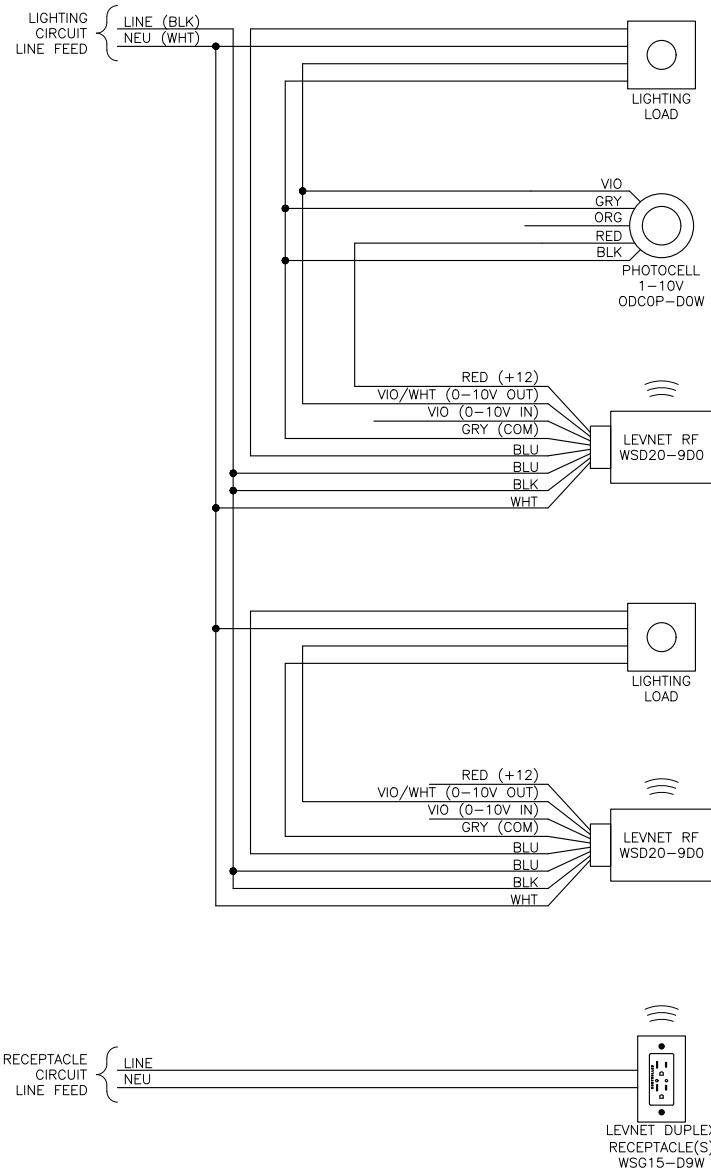
COMMON AREA—PRC



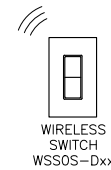
COMMON AREA—INTELLECT



LIBRARY—LEVNET RF



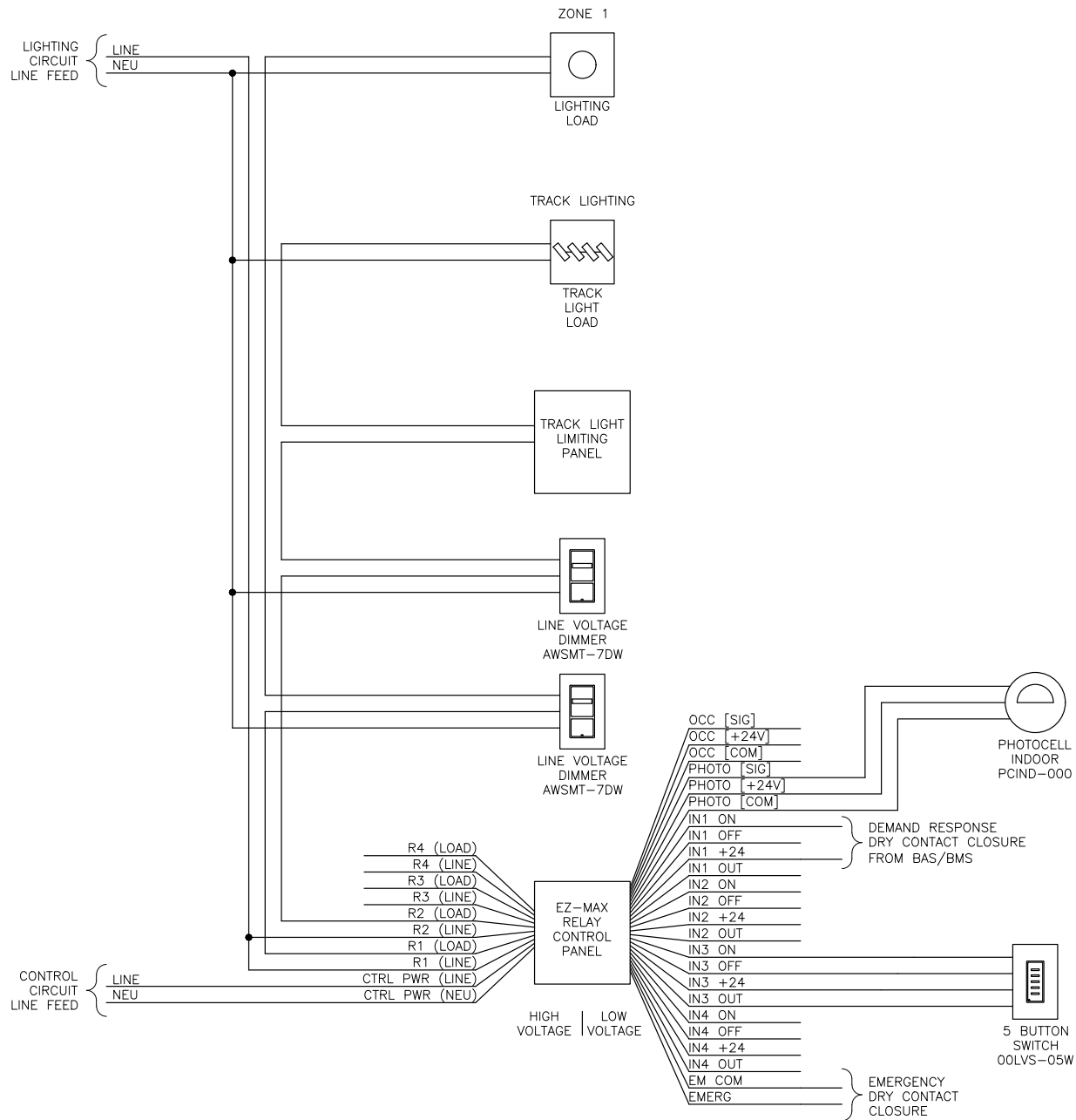
TYPICAL EACH ZONE:
1. MAIN
2. AISLES
3. STUDY/WORK



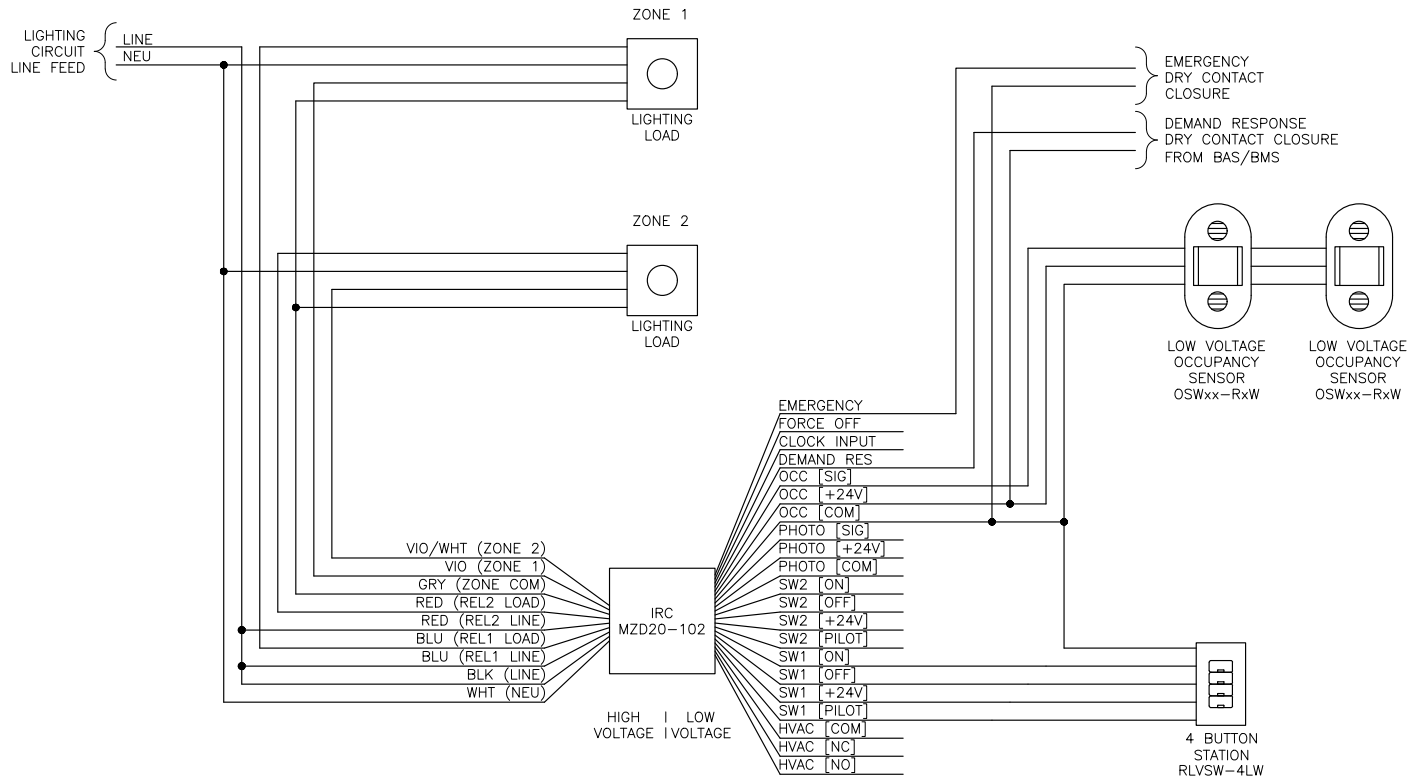
NOTES:

1. FOR 0-10V CONTROL, LOWEST LIGHTING LEVEL TAKES PRECEDENCE.
2. WIRELESS CONTROL SIGNAL FROM SWITCHES, SENSORS OR CONTROLLERS UP TO 150FT.
3. INDIVIDUALLY CAP UNUSED LEADS.

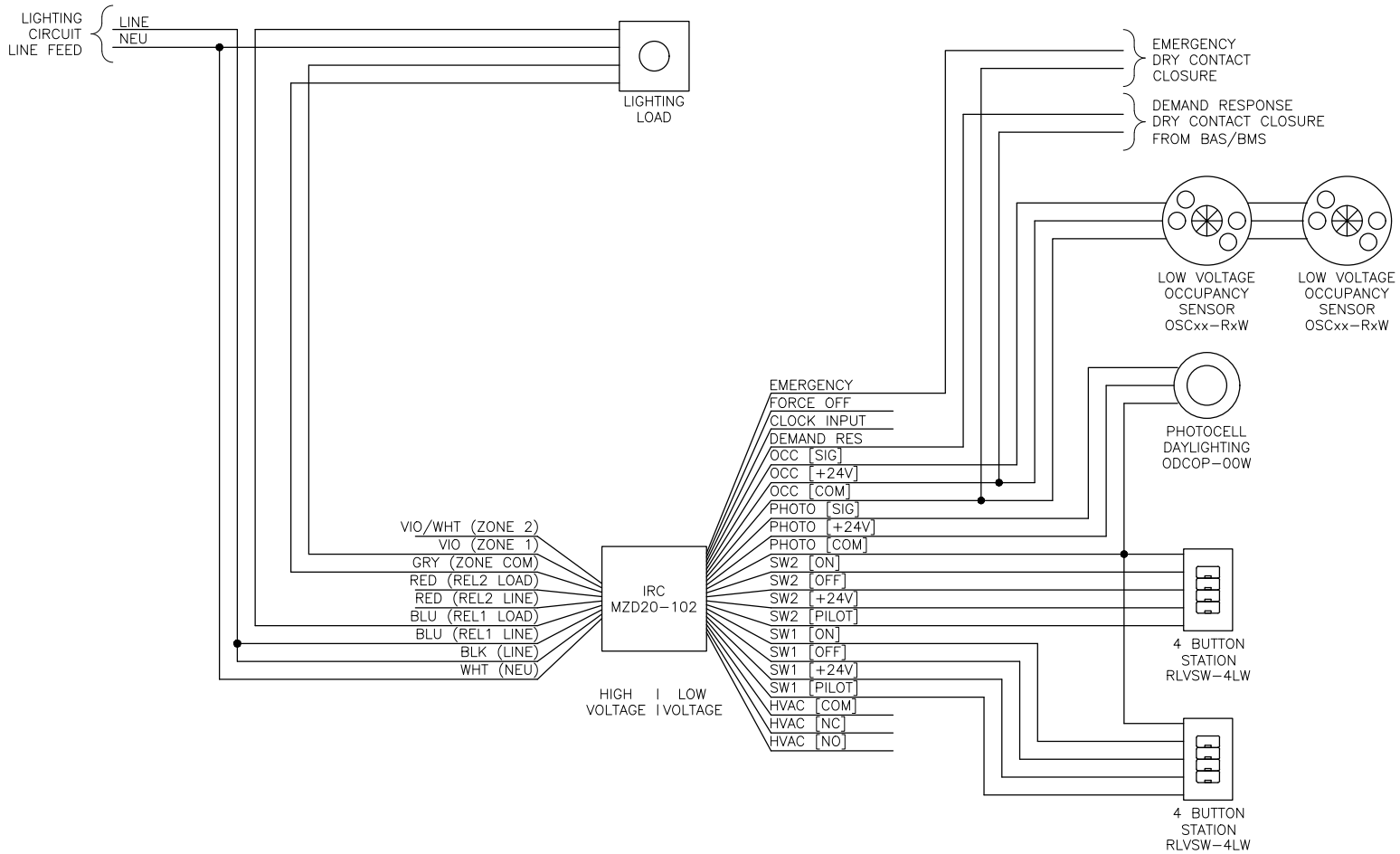
RETAIL SPACE—EZ-MAX PLUS



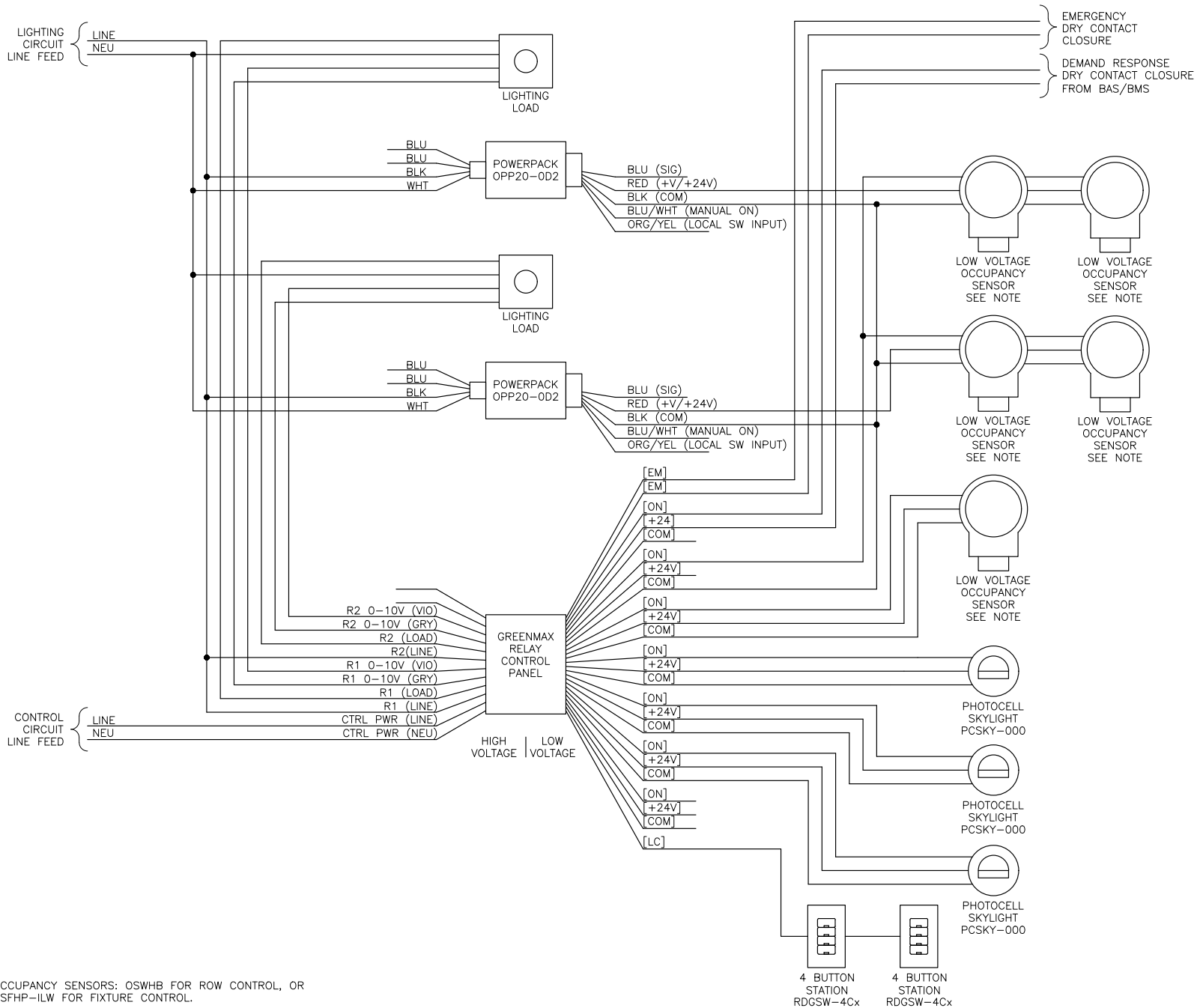
STAIRWELL—IRC



SIDELIT WALKWAY—IRC



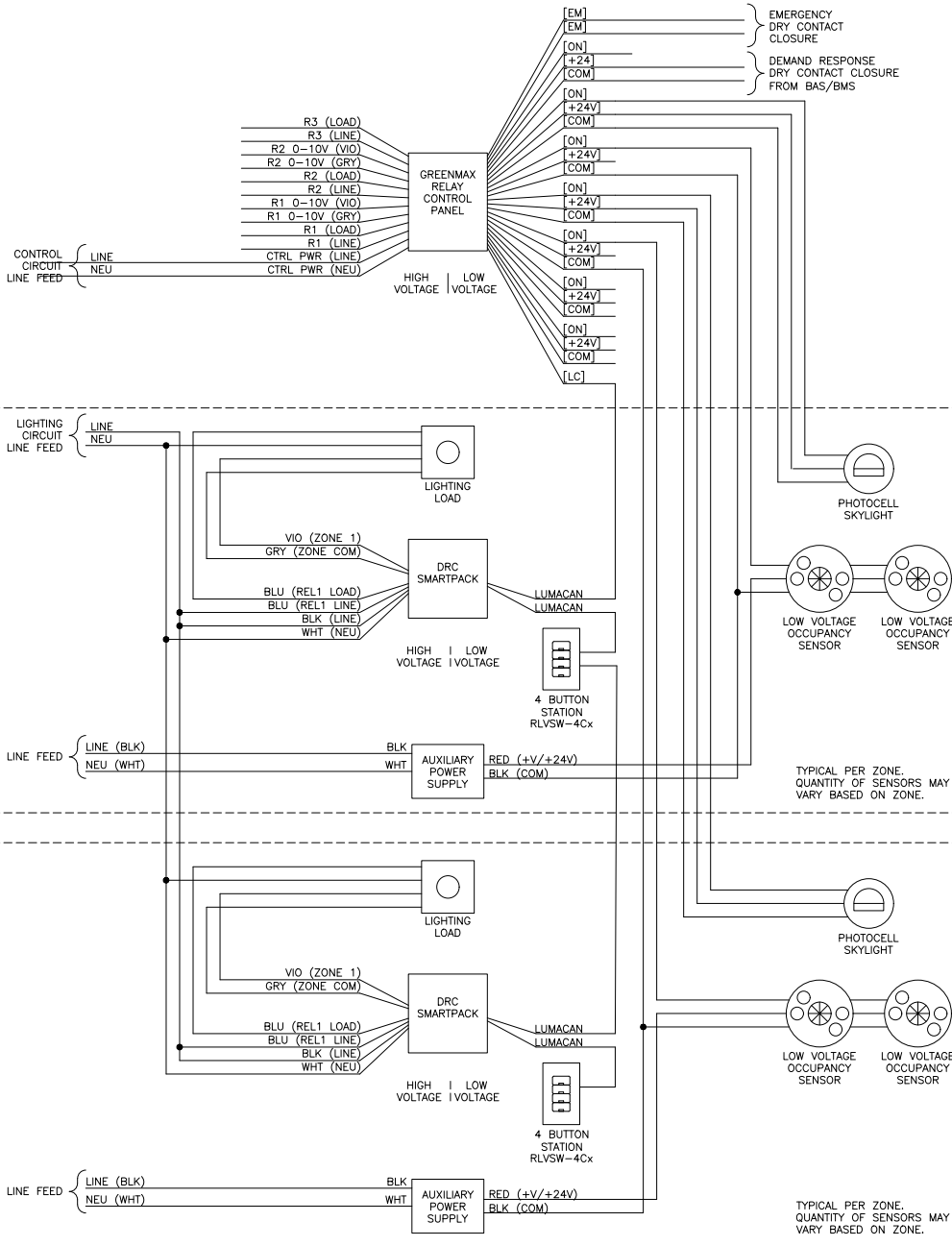
WAREHOUSE—GREENMAX



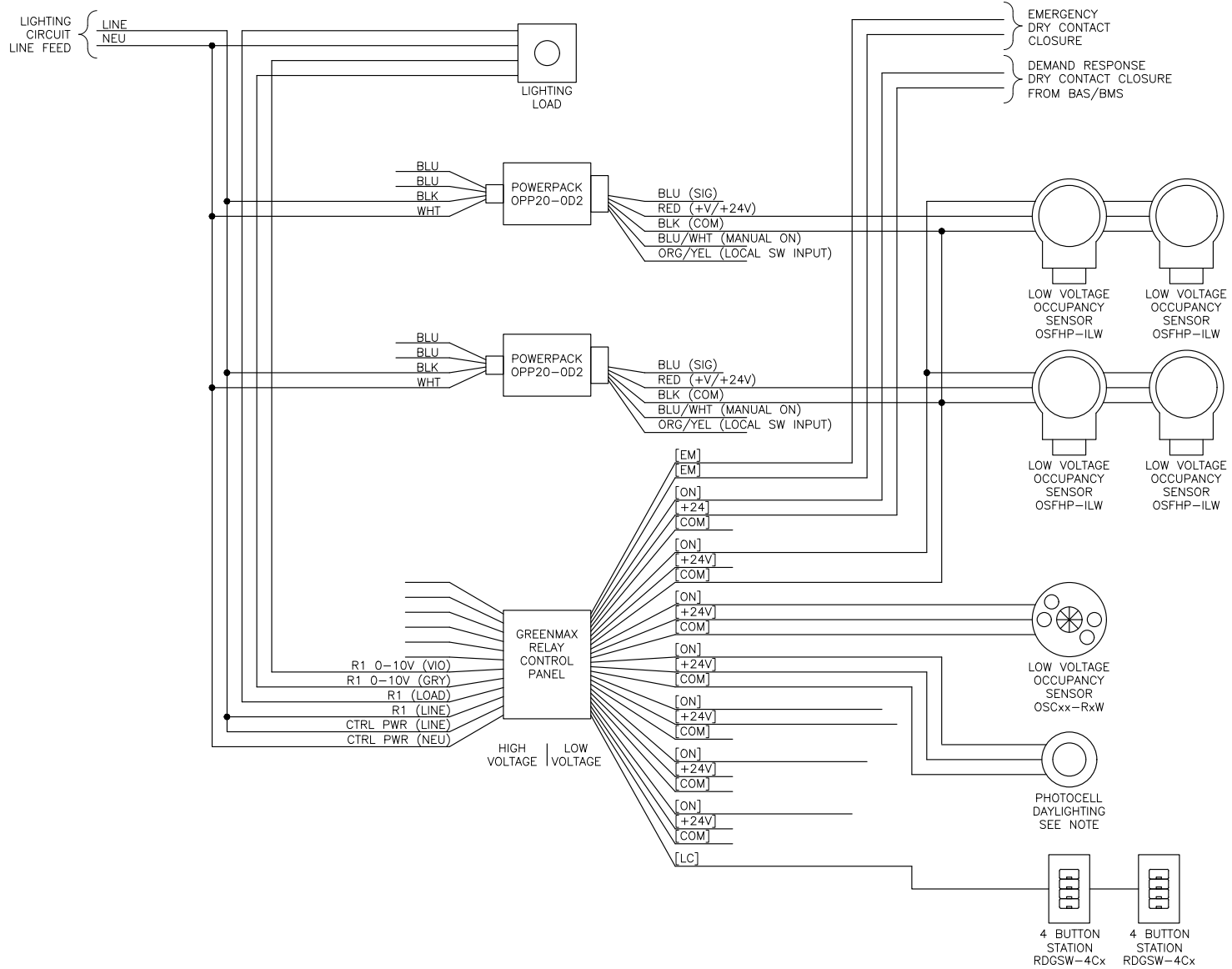
NOTES:

1. OCCUPANCY SENSORS: OSWHB FOR ROW CONTROL, OR OSFHP-ILW FOR FIXTURE CONTROL.

WAREHOUSE—OSF20-ILW/OSFHP-ILW-DRC



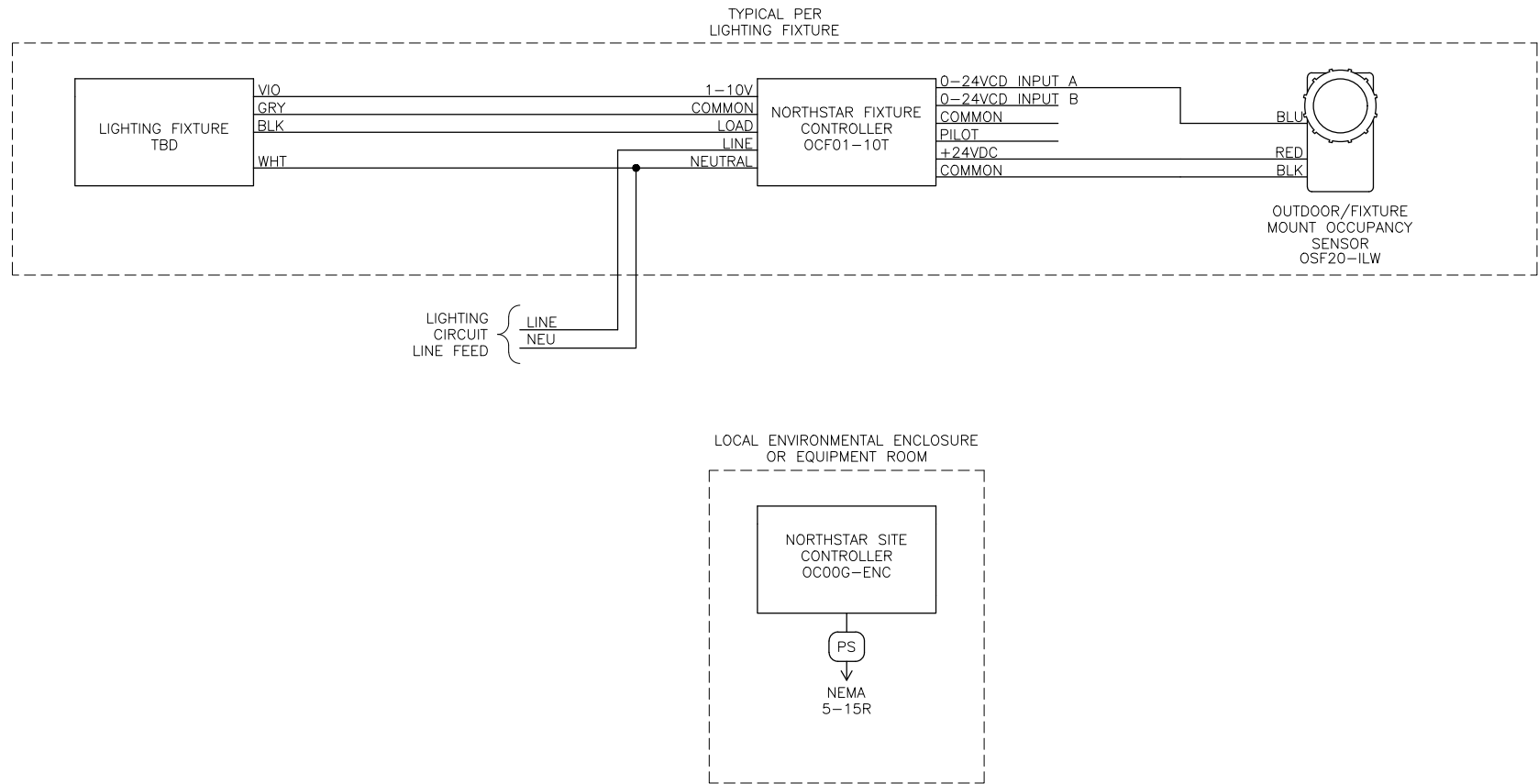
PARKING GARAGE—GREENMAX



NOTES:

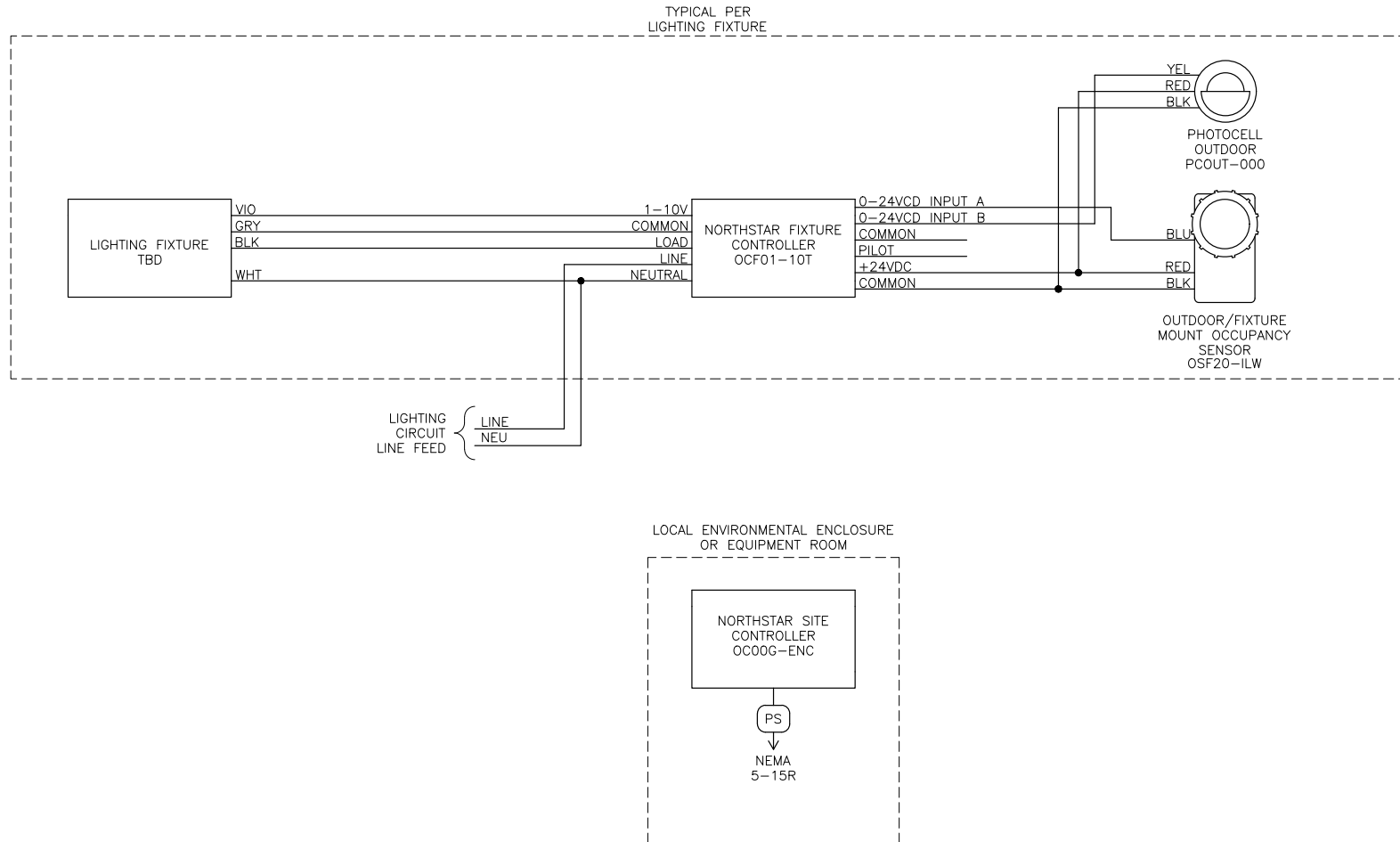
1. PHOTOCELL: ODC0P-00W, PCIND, PCATR, PCOUT, PCSKY.

PARKING GARAGE—NORTHSTAR



NOTES:

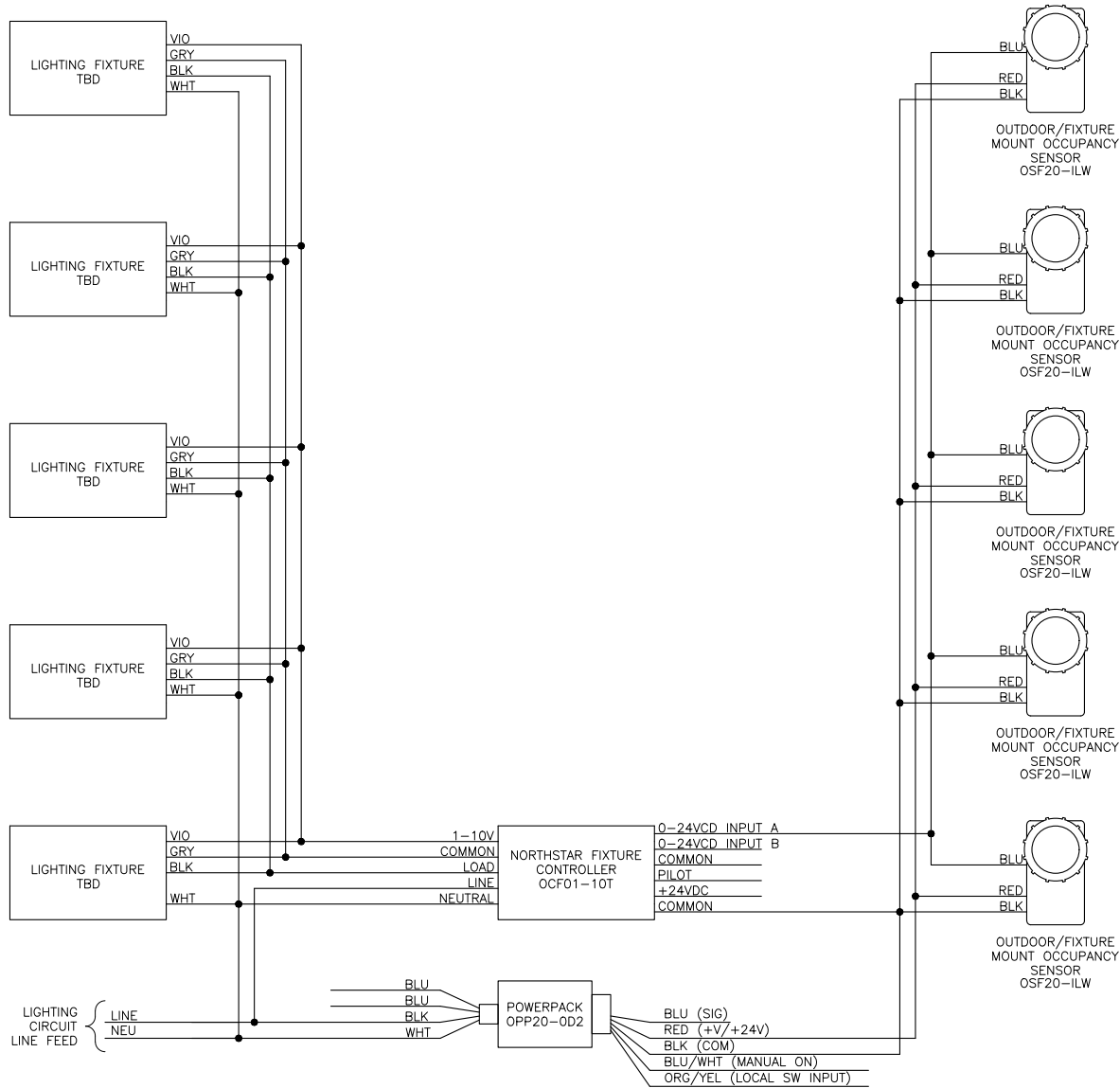
1. REFER TO PRODUCT LABELS AND INSTALL SHEETS FOR ADDITIONAL INSTALLATION DETAILS.
2. INDIVIDUALLY CAP OFF UNUSED CONDUCTORS.
3. POWER PACK USED FOR SWITCHING LIGHTING LOAD AND AS AUXILIARY POWER FOR OCCUPANCY SENSORS.
4. DIAGRAM ASSUMES LIGHTING LOAD IS WITHIN DEVICE SPECIFICATIONS.
5. INSTALLING CONTRACTOR TO PROVIDE ENVIRONMENTALLY RATED ENCLOSURES FOR EQUIPMENT AND TERMINATIONS PER APPLICABLE CODES AND BEST PRACTICES.
6. NORTHSTAR FIXTURE CONTROLLERS COMMUNICATE WITH A NORTHSTAR SITE CONTROLLER. REFERENCE PRODUCT LITERATURE FOR ADDITIONAL DETAILS.



NOTES:

1. REFER TO PRODUCT LABELS AND INSTALL SHEETS FOR ADDITIONAL INSTALLATION DETAILS.
2. INDIVIDUALLY CAP OFF UNUSED CONDUCTORS.
3. POWER PACK USED FOR SWITCHING LIGHTING LOAD AND AS AUXILIARY POWER FOR OCCUPANCY SENSORS.
4. DIAGRAM ASSUMES LIGHTING LOAD IS WITHIN DEVICE SPECIFICATIONS.
5. INSTALLING CONTRACTOR TO PROVIDE ENVIRONMENTALLY RATED ENCLOSURES FOR EQUIPMENT AND TERMINATIONS PER APPLICABLE CODES AND BEST PRACTICES.
6. NORTHSTAR FIXTURE CONTROLLERS COMMUNICATE WITH A NORTHSTAR SITE CONTROLLER. REFERENCE PRODUCT LITERATURE FOR ADDITIONAL DETAILS.

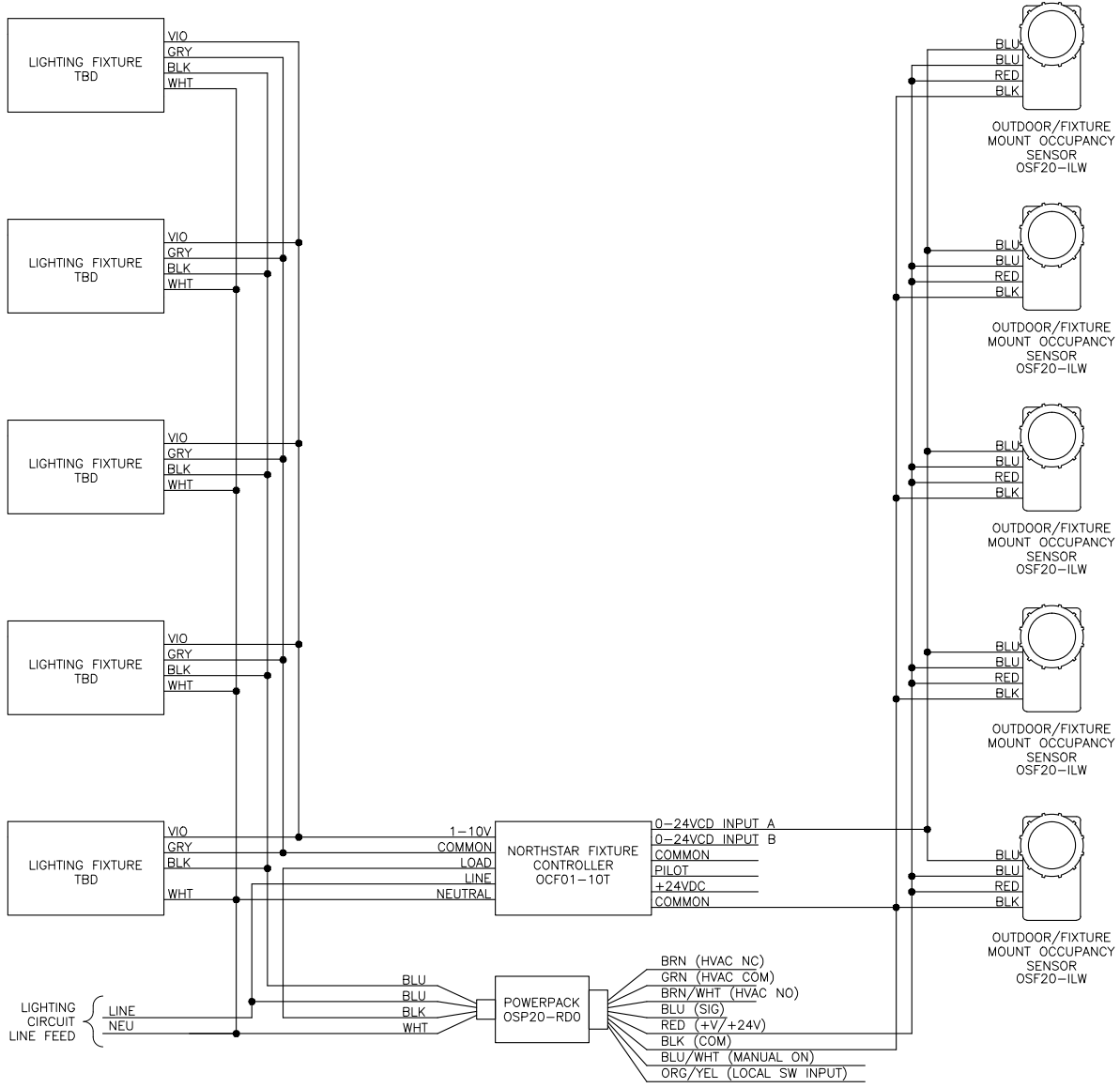
PARKING ZONE (<5A), NORTHSTAR



NOTES:

1. REFER TO PRODUCT LABELS AND INSTALL SHEETS FOR ADDITIONAL INSTALLATION DETAILS.
2. INDIVIDUALLY CAP OFF UNUSED CONDUCTORS.
3. POWER PACK USED AS AUXILIARY POWER FOR OCCUPANCY SENSORS ONLY.
4. DIAGRAM ASSUMES LIGHTING LOAD IS WITHIN CONTROLLER SPECIFICATIONS.
5. INSTALLING CONTRACTOR TO PROVIDE ENVIRONMENTALLY RATED ENCLOSURES FOR EQUIPMENT AND TERMINATIONS PER APPLICABLE CODES AND BEST PRACTICES.
6. NORTHSTAR FIXTURE CONTROLLERS COMMUNICATE WITH A NORTHSTAR SITE CONTROLLER. REFERENCE PRODUCT LITERATURE FOR ADDITIONAL DETAILS.

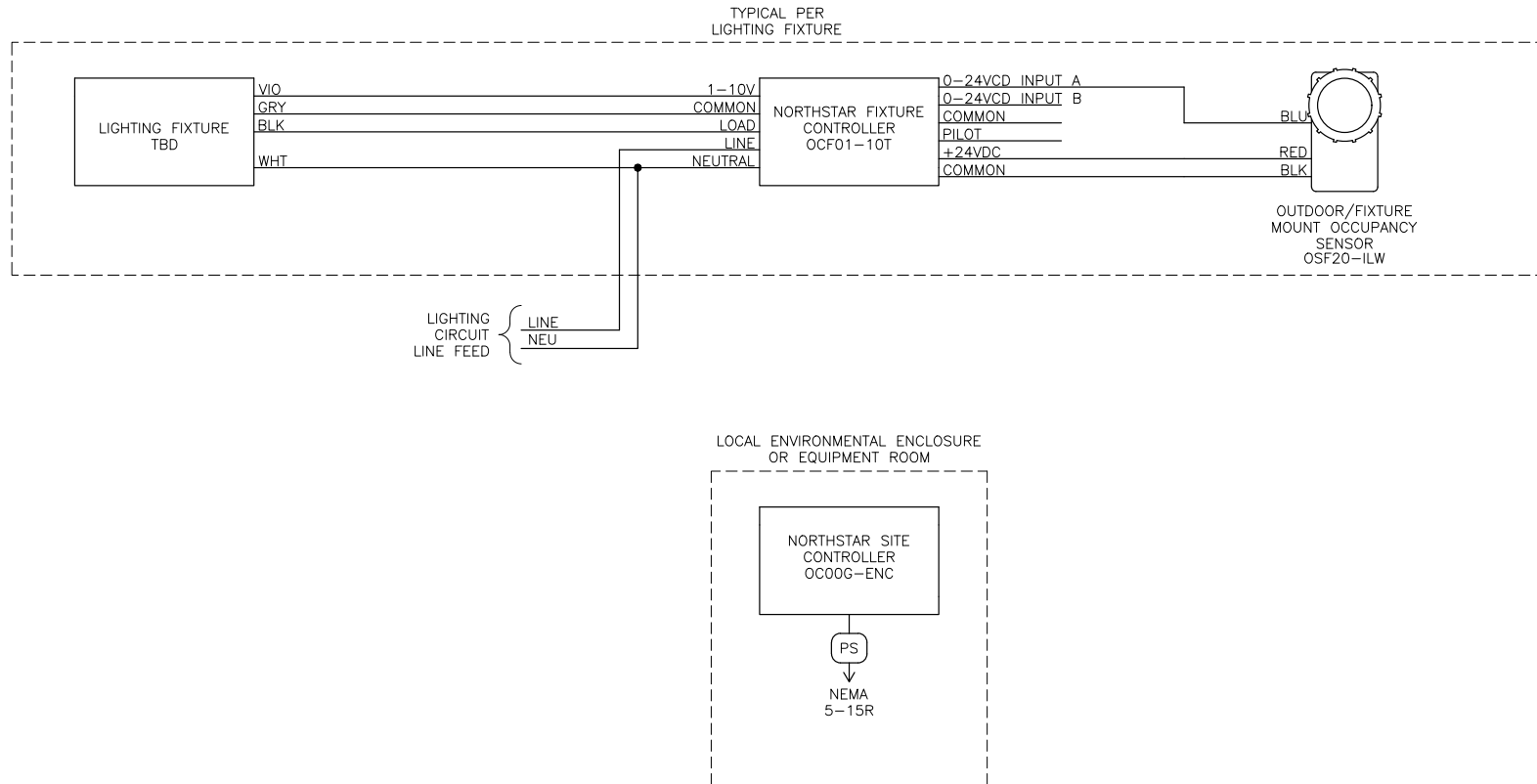
PARKING ZONE (>5A), NORTHSTAR



NOTES:

1. REFER TO PRODUCT LABELS AND INSTALL SHEETS FOR ADDITIONAL INSTALLATION DETAILS.
2. INDIVIDUALLY CAP OFF UNUSED CONDUCTORS.
3. POWER PACK USED FOR SWITCHING LIGHTING LOAD AND AS AUXILIARY POWER FOR OCCUPANCY SENSORS.
4. DIAGRAM ASSUMES LIGHTING LOAD IS WITHIN POWER PACK SPECIFICATIONS.
5. INSTALLING CONTRACTOR TO PROVIDE ENVIRONMENTALLY RATED ENCLOSURES FOR EQUIPMENT AND TERMINATIONS PER APPLICABLE CODES AND BEST PRACTICES.
6. NORTHSTAR FIXTURE CONTROLLERS COMMUNICATE WITH A NORTHSTAR SITE CONTROLLER. REFERENCE PRODUCT LITERATURE FOR ADDITIONAL DETAILS.

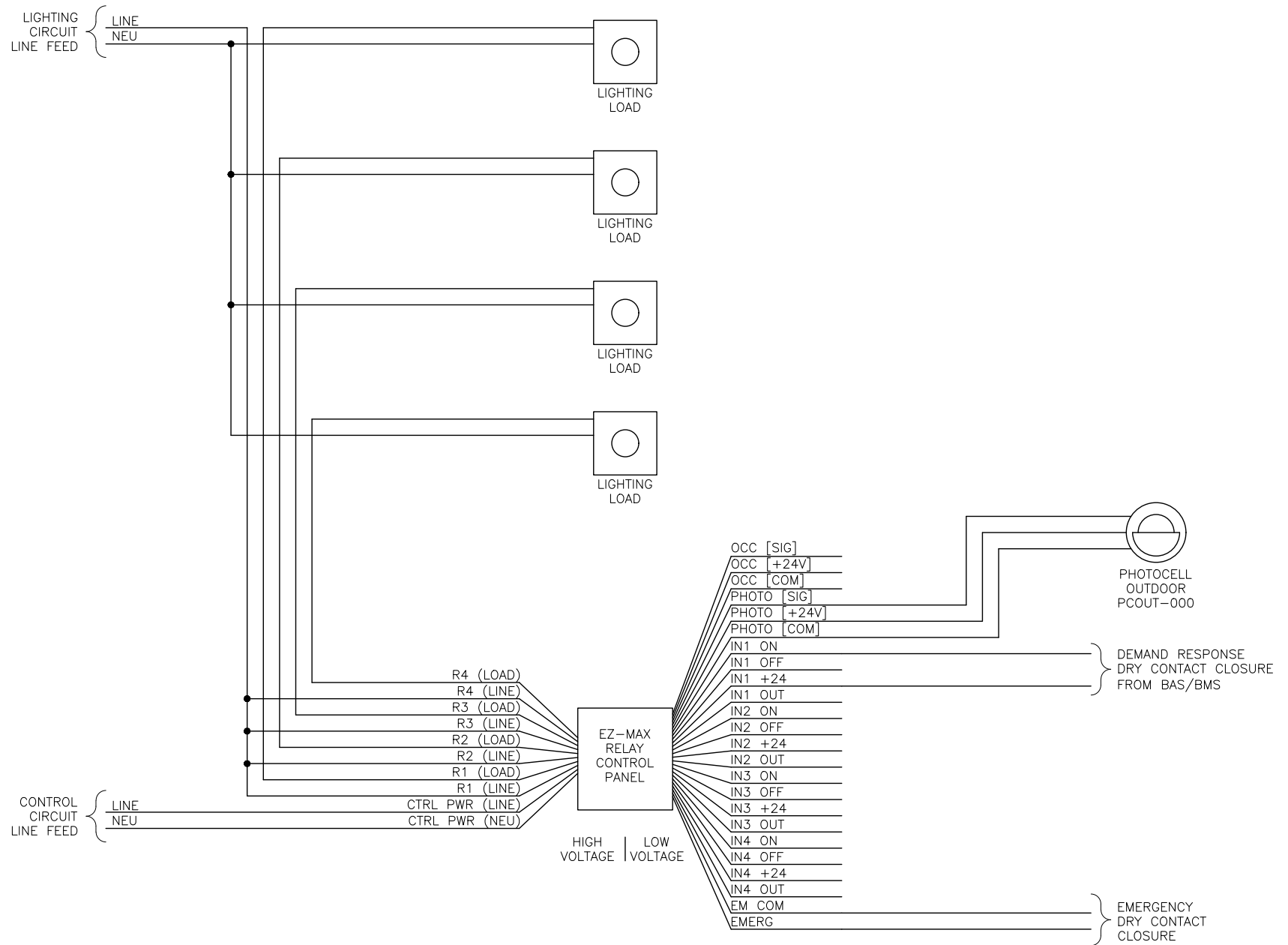
SITE LIGHTING, OCCUPANCY SENSOR PER FIXTURE, NORTHSTAR



NOTES:

1. REFER TO PRODUCT LABELS AND INSTALL SHEETS FOR ADDITIONAL INSTALLATION DETAILS.
2. INDIVIDUALLY CAP OFF UNUSED CONDUCTORS.
3. POWER PACK USED FOR SWITCHING LIGHTING LOAD AND AS AUXILIARY POWER FOR OCCUPANCY SENSORS.
4. DIAGRAM ASSUMES LIGHTING LOAD IS WITHIN DEVICE SPECIFICATIONS.
5. INSTALLING CONTRACTOR TO PROVIDE ENVIRONMENTALLY RATED ENCLOSURES FOR EQUIPMENT AND TERMINATIONS PER APPLICABLE CODES AND BEST PRACTICES.
6. NORTHSTAR FIXTURE CONTROLLERS COMMUNICATE WITH A NORTHSTAR SITE CONTROLLER. REFERENCE PRODUCT LITERATURE FOR ADDITIONAL DETAILS.

SITE LIGHTING—EZ-MAX PLUS





Leviton Manufacturing Co., Inc. Energy Management, Controls and Automation

20497 SW Teton Avenue, Tualatin, OR 97062 **tel** 800-736-6682 **fax** 503-404-5594 **tech line** (6:00AM-4:00PM PT Mon-Fri) 800-959-6004

Leviton Manufacturing Co., Inc. Global Headquarters

201 North Service Road, Melville, NY 11747-3138 **tel** 800-323-8920 **fax** 800-832-9538 **tech line** (8:30AM-7:00PM ET Mon-Fri) 800-824-3005

Visit our Website at: www.leviton.com/ashrae

©2017 Leviton Manufacturing Co., Inc. All rights reserved. Subject to change without notice.

G-9538E/F17-tb
REV JUN 2017