

4

3

2

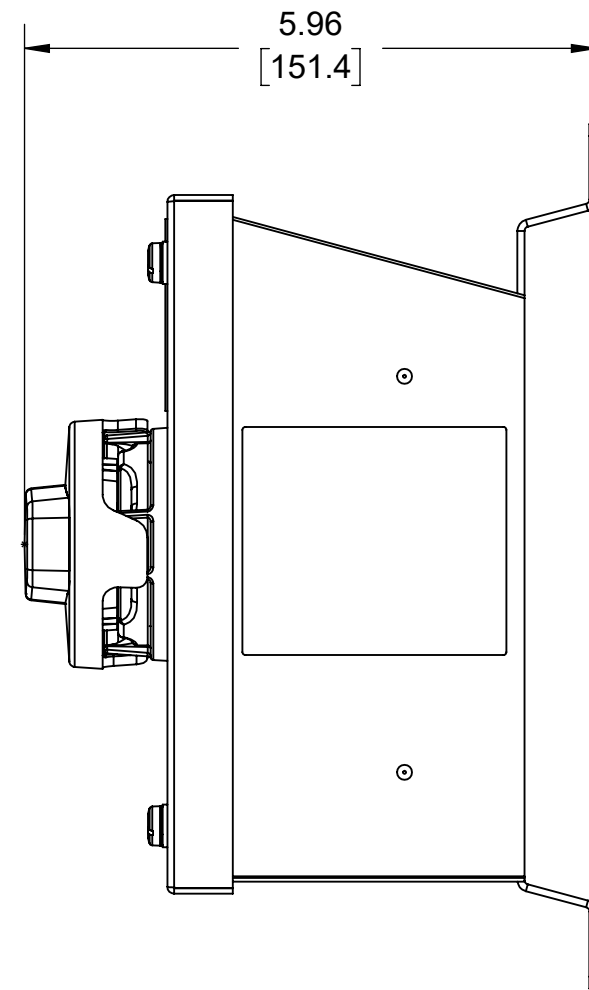
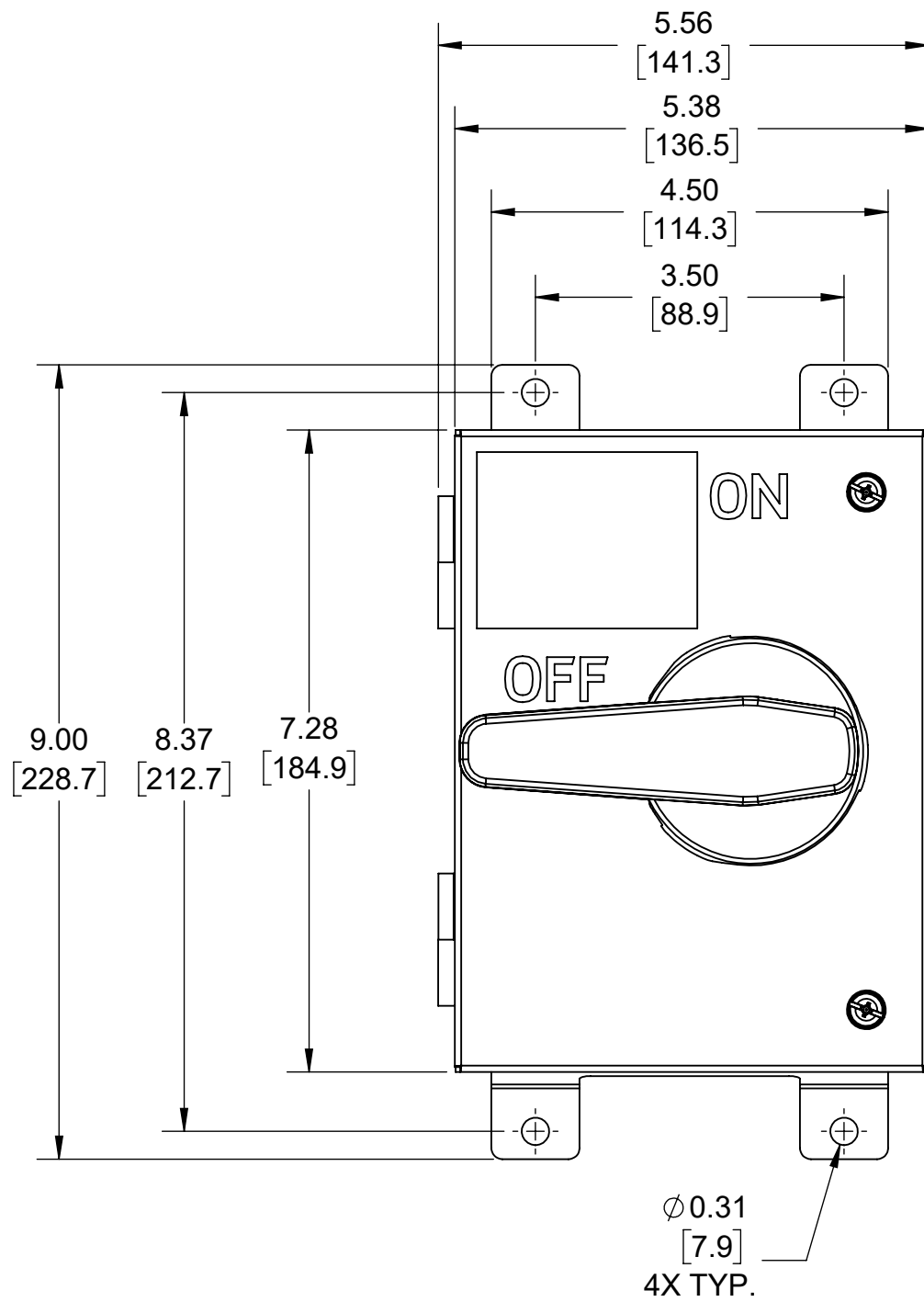
1

B

B

A

A



CATALOG #MDS3-ST
SLOPE TOP DISCONNECT SWITCH,
15° SLOPE, STAINLESS STEEL,
NON-FUSED, 30A-600V ENCLOSURE

| | | | | |
|---|---------------------------|---|---|--------------|
| UNLESS OTHERWISE SPECIFIED: DO NOT SCALE DRAWING. ALL DIMENSIONS ARE IN INCHES. ALL ANGLES ARE IN DEGREES. | | LEVITON® | | |
| TOLERANCES | | TITLE: 30A SLOPE TOP DISCONNECT CATALOG DRAWING | | |
| INCH | METRIC | DWG NO. CATSTD-0MDS3-0ST-D01 | | |
| .XX ± .01 .XXX ± .005 | .X ± .2 mm .XX ± .1 mm | | | |
| ANGLES: ± 1/2° | | SIZE | SCALE:1:2 | SHEET 1 OF 1 |
| THIRD ANGLE PROJECTION | | B | Copyright 2020. Unpublished. All Rights Reserved. | REV 1 |
| ALL PRINTED COPIES ARE UNCONTROLLED | | | | |

4

3

2

1